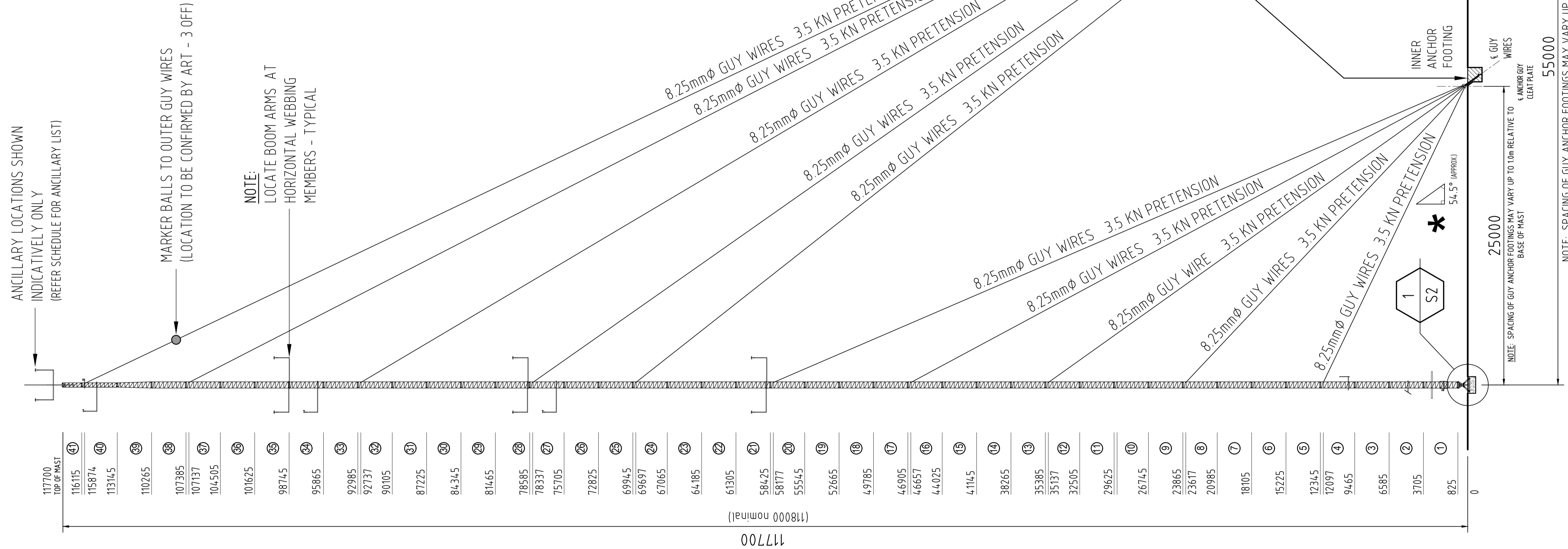


ADVERTISED PLAN

This copied document to be made available for the sole purpose of enabling its consideration and review as part of a planning process under the Planning and Environment Act 1987. The document must not be used for any purpose which may breach any **confvriehit**



ANCILLARY LOADING TABLE

ANCILLARY DESCRIPTION	MODEL	HEIGHT (m)	ESA (m ²) THRUST
LIGHTNING ROD		TOP	0.29
2 x ANEMOMETER (INCLUDES BOOM ARM)	THIES FIRST CLASS ADVANCED	120	0.54
1 x WIND VANE (INCLUDES BOOM ARM)	VECTOR W200P	116	0.27
1 x THERMOMETER (INCLUDES MOUNT)	CAMPBELL SCIENTIFIC 109	116	0.20
2 x ANEMOMETER (INCLUDES BOOM ARM)	THIES FIRST CLASS ADVANCED	100	0.54
1 x WIND VANE (INCLUDES BOOM ARM)	VECTOR W200P	97.5	0.27
2 x ANEMOMETER (INCLUDES BOOM ARM)	THIES FIRST CLASS ADVANCED	80	0.54
1 x WIND VANE (INCLUDES BOOM ARM)	VECTOR W200P	77.5	0.27
2 x ANEMOMETER (INCLUDES BOOM ARM)	THIES FIRST CLASS ADVANCED	60	0.54
1 x COLINEAR ANTENNA	COL 7195	10	0.20
1 x SOLAR MODULE	SW-M50W (50W 12V)	5	0.20
550 ANTI-CLIMB BARRIER	WITH COMBINATION LOCK	3	-
1 x THERMOMETER (INCLUDES MOUNT)	CAMPBELL SCIENTIFIC 109	2	0.20
1 x PRESSURE SENSOR	AMMONT AB60	2	0.20
DATA LOGGER	CAMPBELL SCIENTIFIC CR1000	2	0.20

1. AN ALLOWANCE HAS BEEN MADE FOR CABLES TO BE BUNDLED DOWN MAST LEG.
2. MAST ANCILLARIES TO BE CONFIRMED WITH CLIENT & CHECKED WITH ENGINEER PRIOR TO INSTALLATION.
3. ANCILLARY LOADING TABLE BASED ON 'ART' DWG. No. DRW7115v2_Mast Layout Rev 02 DATED 21-06-2017.

NOTES:

1. GUYS 8.25mm (7/2.75mm STRANDS) G1320.
- TENSILE STRENGTH = 1370 MPa.
- BREAKING FORCE = 53.6 KN.
- PRE-TENSION TO 3.5 KN.
2. BOW & 'D' SHACKLES & TURNBUCKLES TO SUIT CAPACITY OF RESPECTIVE GUY WIRES.
3. ALL BOLTS TO BE SUPPLIED WITH NUT & SNUG TIGHTENED.
4. ALL BOLTS TO BE SUPPLIED G8.8 WITH STRUCTURAL WASHERS - U.N.O.
5. ONE FACE OF MAST TO BE FITTED WITH FALL ARREST DEVICE INSTALLED AS PER MANUFACTURER'S INSTRUCTIONS.
6. PROVIDE "HELICOIL GRIP" OR "FAN WRAP" AT TERMINATION OF GUY WIRES.

NOTE:

* ANCHOR ROD GRADIENT SHOWN IS FOR CASE AFTER RESULTANT PRETENSION FORCE HAS BEEN APPLIED. LOOSE SOIL AROUND ANCHOR RODS TO BE RE-COMPACTED AFTER PRETENSIONING

NOTE:

LEVEL OF GUY ANCHORS FOOTINGS MAY VARY UP TO RL. +3.0m AT THE INNER PERIMETER, UP TO RL. +5.0m AT THE INTERMEDIATE PERIMETER AND UP TO RL. +6.0m AT OUTER PERIMETER RELATIVE TO BASE OF MAST (RL.0.0m)

GENERAL MAST ELEVATION

SCALE 1:200 AT A1

Issue	Date	Description	App'd
A	27-07-17	CONSTRUCTION ISSUE	IO.

Client:
AUSTRALIAN RADIO TOWERS

ART
AUSTRALIAN RADIO TOWERS
ART Job No.
17115

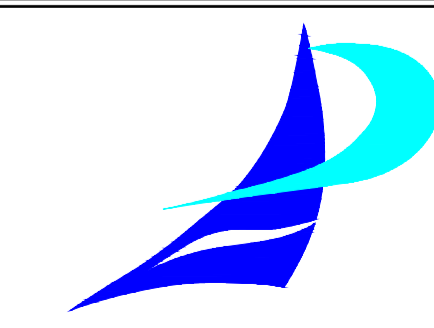
Project:
118m GUYED LATTICE MAST
AT: WILLATOOK WIND FARM,
ORFORD, VIC

Title:
GENERAL MAST ELEVATION

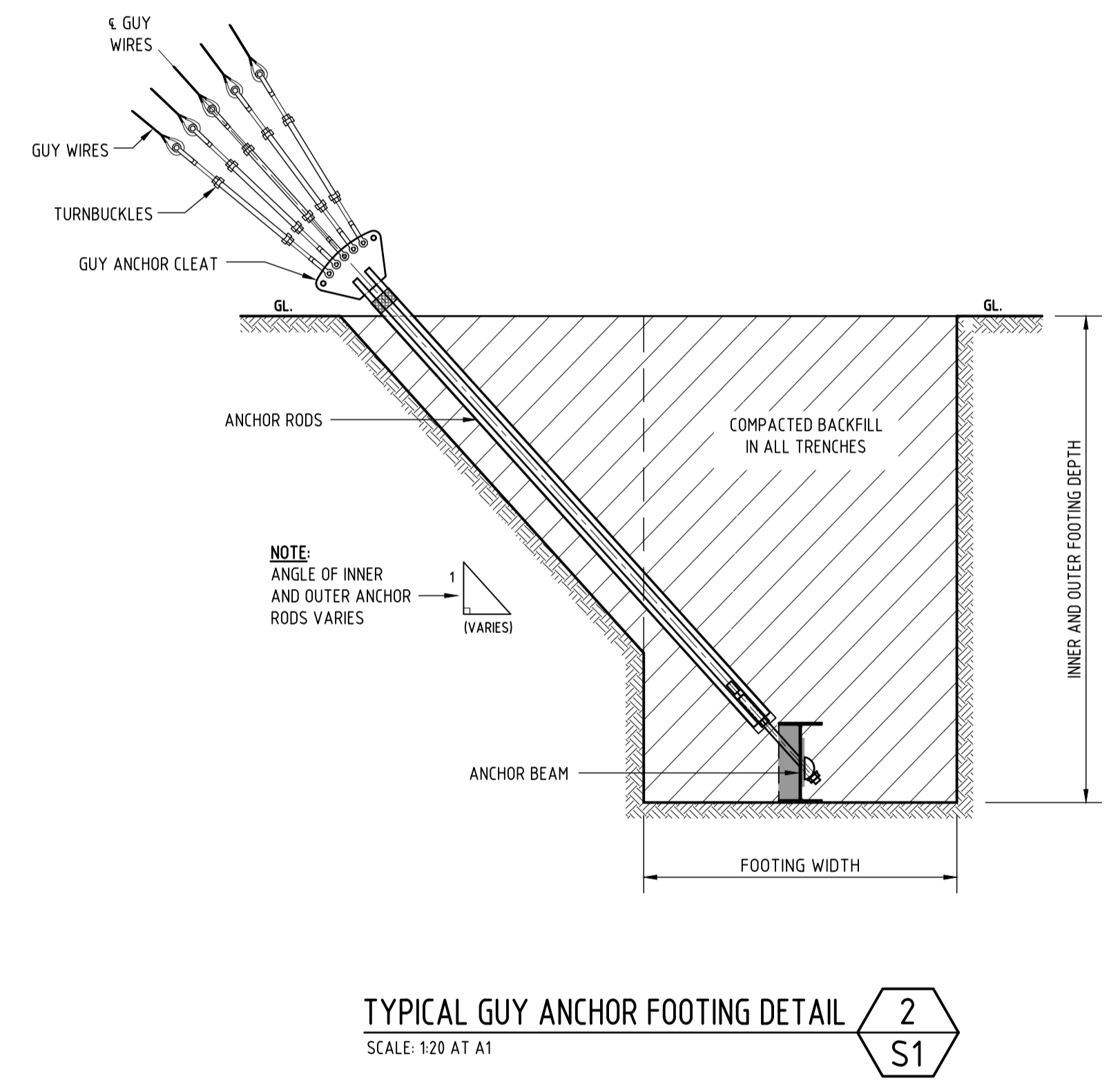
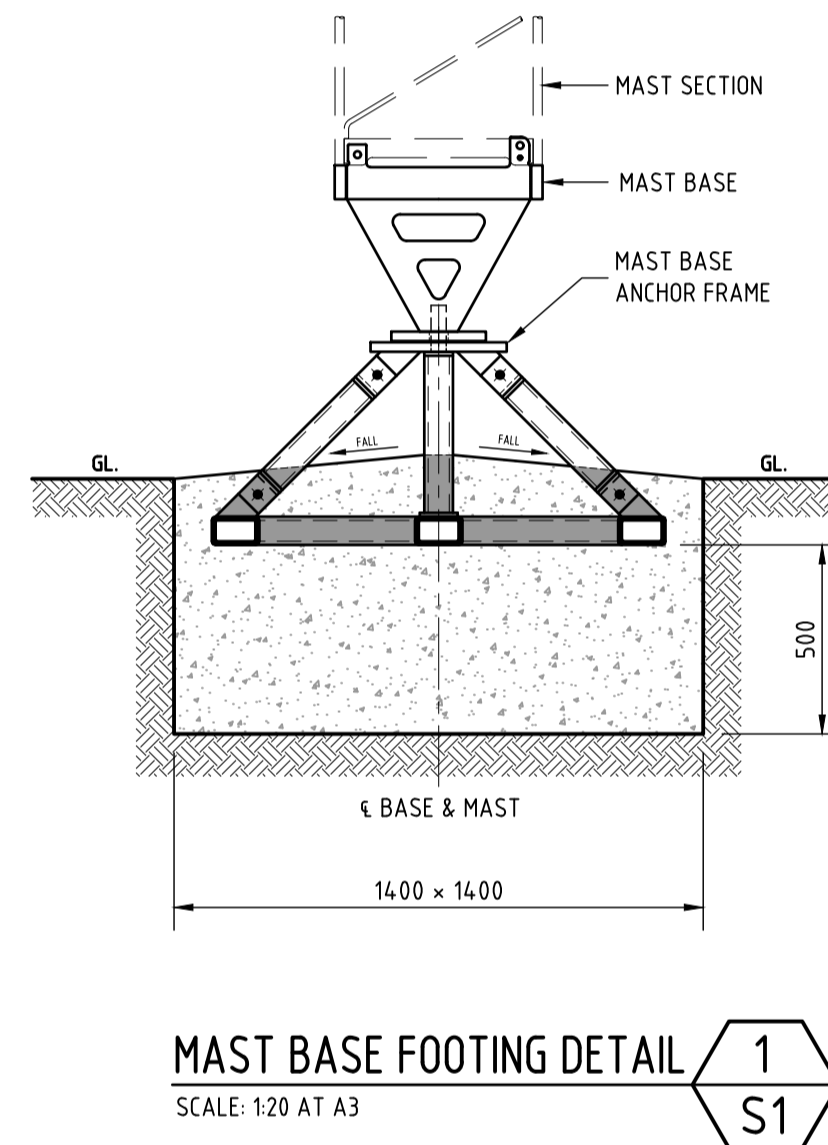
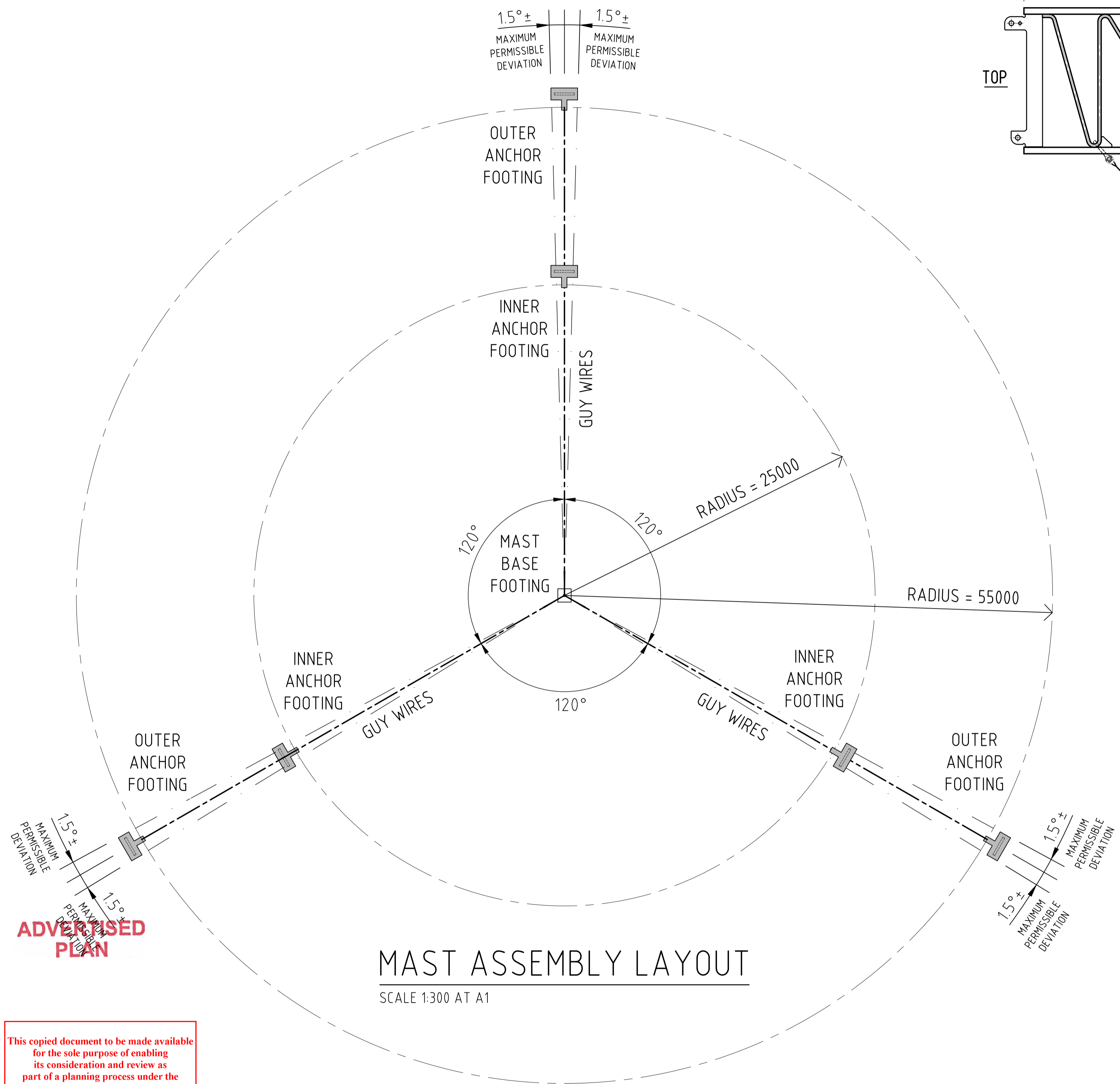
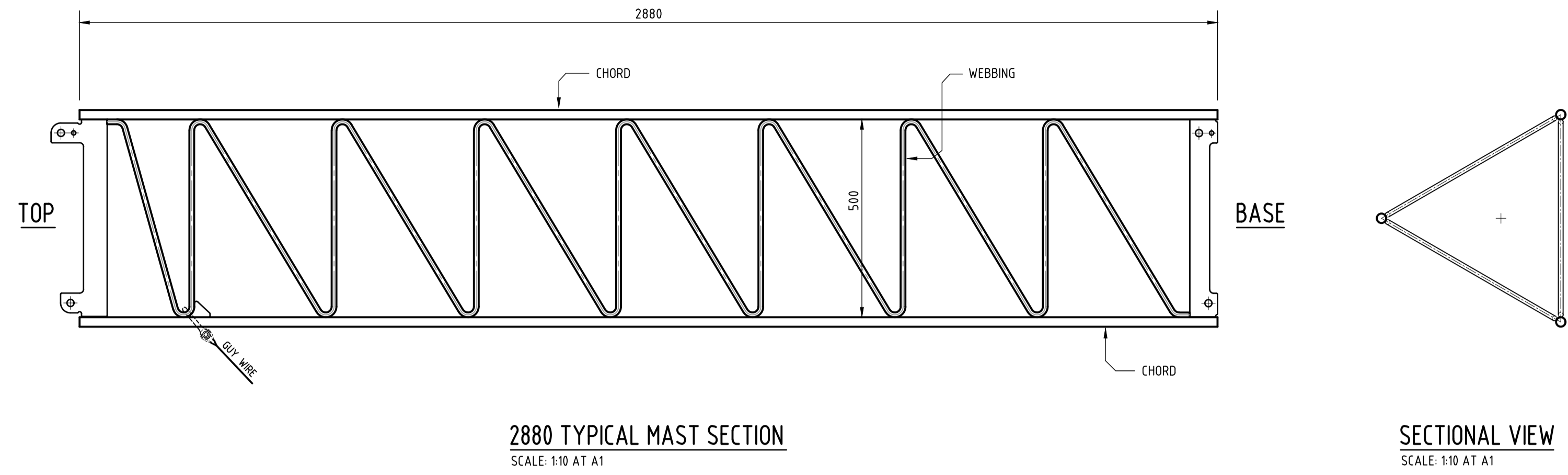
Do not scale drawing. Use written dimensions only
This plan is copyright © All rights reserved.

ARDILL PAYNE
& p a r t n e r s
ENGINEERS PLANNERS SURVEYORS
ENVIRONMENTAL PROJECT MANAGEMENT

BALLINA 45 River Street Ph. 02 6686 3280
SOUTH BRISBANE 89 Gray Street Ph. 07 3123 8675
GUNNEDAH 285 Conadilly Street Ph. 02 6742 9955
A.B.N. 51 808 558 977 e-mail: info@ardillpayne.com.au



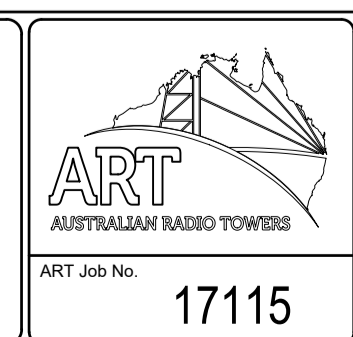
Designed	IO.	Scale	1:200 @ A1, 1:400 @ A3
Drawn	JZ.	0 2 4 6 8 10	
Checked	IO.	File Name	6912-200 120m GJM Willatook_VIC.dwg
Approved		Date	JULY 2017
Job No.	6912-200	Dwg No.	S1
Issue			A



This copied document to be made available for the sole purpose of enabling its consideration and review as part of a planning process under the Planning and Environment Act 1987. The document must not be used for any purpose which may breach any copyright.

Issue	Date	Description	App'd
A	27-07-17	CONSTRUCTION ISSUE	IO.

Client:
AUSTRALIAN RADIO TOWERS

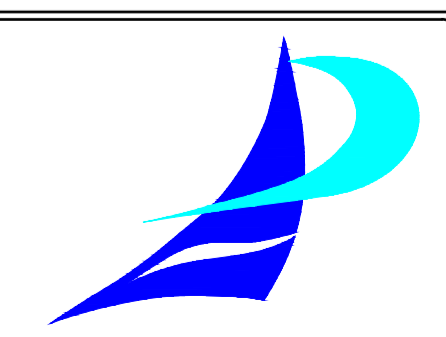


Project:
118m GUYED LATTICE MAST
AT: WILLATOOK WIND FARM,
ORFORD, VIC

Title:
MAST ASSEMBLY LAYOUT AND DETAILS

Do not scale drawing. Use written dimensions only
This plan is copyright © All rights reserved.

ARDILL PAYNE
& PARTNERS
ENGINEERS PLANNERS SURVEYORS
ENVIRONMENTAL PROJECT MANAGEMENT
BALLINA 45 River Street Ph. 02 6686 3280
SOUTH BRISBANE 89 Grey Street Ph. 07 3123 6675
GUNNEDAH 285 Conadilly Street Ph. 02 6742 9955
A.B.N. 51 808 558 977 e-mail: info@ardillpayne.com.au



Designed	IO.	Scale	VARIOUS - REFER PLAN
Drawn	JZ.		
Checked	IO.	File Name	6912-200 120m GLM Willatook_VIC.dwg
Approved		Date	JULY 2017 Datum -
Job No.	6912-200	Dwg No.	S2
Issue			A