

Imaged Document Cover Sheet

The document following this cover sheet is an imaged document supplied by LANDATA®, Secure Electronic Registries Victoria.

Document Type	Plan
Document Identification	TP869976Q
Number of Pages (excluding this cover sheet)	1
Document Assembled	04/02/2026 15:25

Copyright and disclaimer notice:

© State of Victoria. This publication is copyright. No part may be reproduced by any process except in accordance with the provisions of the Copyright Act 1968 (Cth) and for the purposes of Section 32 of the Sale of Land Act 1962 or pursuant to a written agreement. The information is only valid at the time and in the form obtained from the LANDATA® System. None of the State of Victoria, LANDATA®, Secure Electronic Registries Victoria Pty Ltd (ABN 86 627 986 396) as trustee for the Secure Electronic Registries Victoria Trust (ABN 83 206 746 897) accept responsibility for any subsequent release, publication or reproduction of the information.

The document is invalid if this cover sheet is removed or altered.

This copied document to be made available for the sole purpose of enabling its consideration and review as part of a planning process under the Planning and Environment Act 1987. The document must not be used for any purpose which may breach any copyright

**ADVERTISED
PLAN**

TITLE PLAN	EDITION 1	TP 869976Q
LOCATION OF LAND Parish: JIKA JIKA Township: - Section: - Crown Allotment: - Crown Portion: 33 (PT) Last Plan Reference:- Derived From: VOL. 2687 FOL. 217 Depth Limitation: NIL	Notations ANY REFERENCE TO MAP IN THE TEXT MEANS THE DIAGRAM SHOWN ON THIS TITLE PLAN	

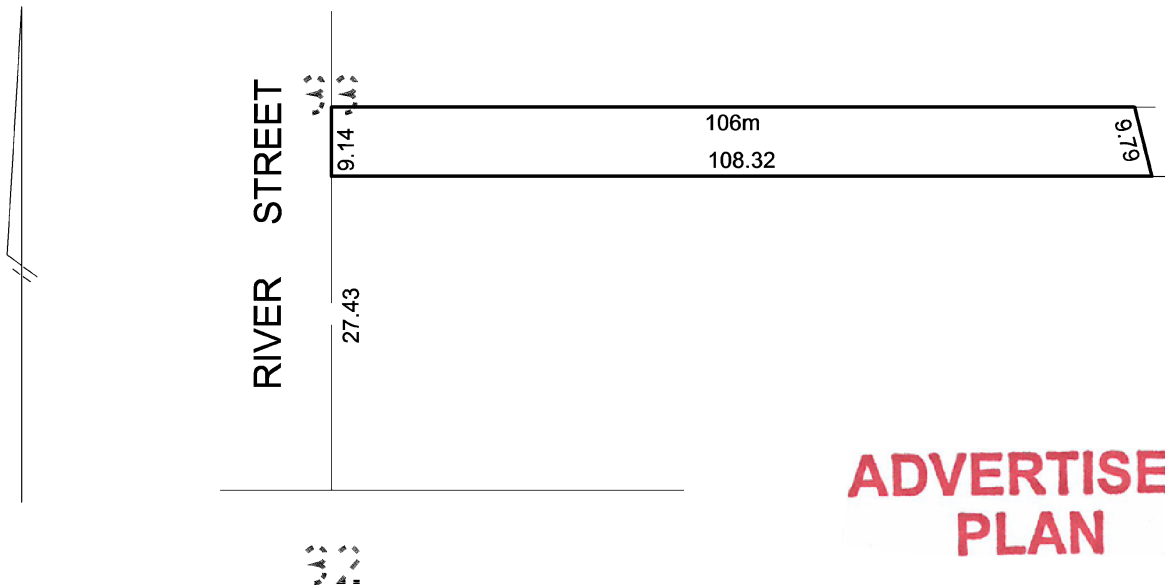
Description of Land/Easement Information

THIS PLAN HAS BEEN PREPARED BY LAND REGISTRY, LAND VICTORIA FOR TITLE DIAGRAM PURPOSES

COMPILED: Date: 23/06/2008

VERIFIED: A. DALLAS
Assistant Registrar of Titles

This copied document to be made available for the sole purpose of enabling its consideration and review as part of a planning process under the Planning and Environment Act 1987. The document must not be used for any purpose which may breach any copyright



ADVERTISED
PLAN

TABLE OF PARCEL IDENTIFIERS
WARNING: Where multiple parcels are referred to or shown on this Title Plan this does not imply separately disposable parcels under Section 8A of the Sale of Land Act 1962
LOT 1 = CP 33 (PT)