

# ADVERTISED PLAN

This copied document to be made available for the sole purpose of enabling its consideration and review as part of a planning process under the Planning and Environment Act 1987. The document must not be used for any purpose which may breach any copyright

REVISIONS					
REV	STATUS	DESCRIPTION	DATE	D.B.	C.B.
F	FA	SUBSTATION LAYOUT UPDATED	01/03/24	JC	AJ
G	FA	DETAILS AMENDED	05/08/24	XZ	AJ
H	FA	DETAIL INFORMATION AMENDED	09/08/2024	XZ	AJ
I	FA	PROPOSED NEW ACCESS ROAD AMENDED	11/09/2024	XZ	AJ
J	FA	DETAILS AMENDED	16/09/2024	XZ	AJ
K	FA	ROAD DETAILS AMENDED	20/09/2024	XZ	AJ

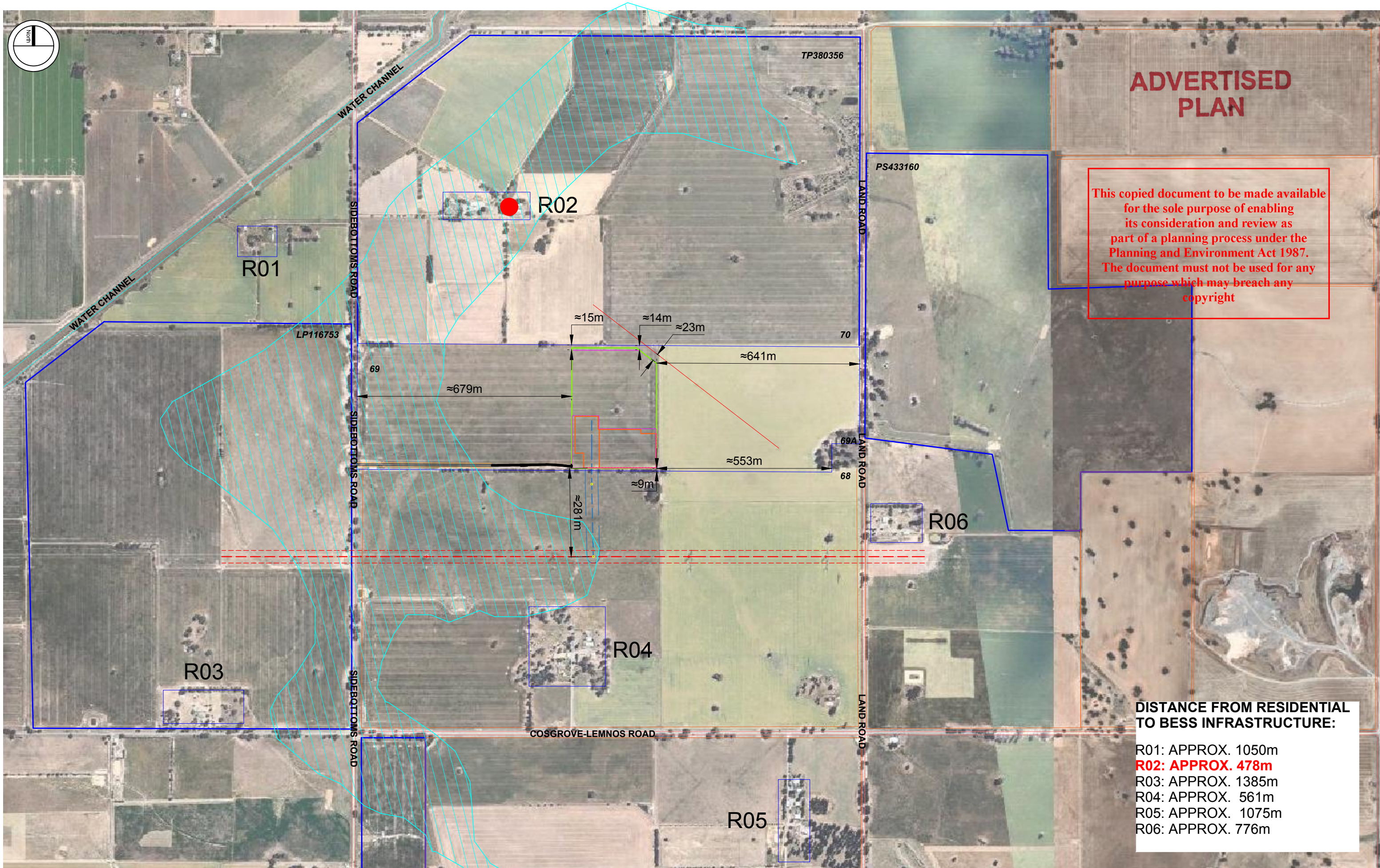
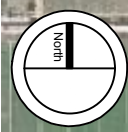
PROJECT DETAILS:	<b>PINE LODGE BESS</b> 910 SIDEBOTTOMS ROAD, PINE LODGE -36.338782, 145.568635
CLIENT DETAILS:	<b>ACENERGY PTY LTD</b>
DRAWING TITLE:	LOCALITY DIAGRAM 1 OF 2

COPYRIGHT OF THIS DRAWING RESERVED BY ACENERGY PTY LTD. NO PART OF THIS DOCUMENT MAY BE REPRODUCED OR COPIED IN ANY FORM OR BY ANY MEANS WITHOUT CONSENT OF ACENERGY.

DRAWING NR:	G-2.1_000904_FA-J	
DRAWN BY :	APPROVED BY :	PROJECT MGR :
XZ	AJ	LZ
SCALE :	ISSUE :	ISSUE DATE :
AS INDICATED	FOR APPROVAL	20/09/2024
SHEET SIZE:	PROJECT NO:	REV. NO:
A3	904	K

DRAWING NR: G-2.1_000904_FA-J		
DRAWN BY :	APPROVED BY :	PROJECT MGR :
XZ	AJ	LZ
SCALE :	ISSUE :	ISSUE DATE :
AS INDICATED	FOR APPROVAL	20/09/2024
SHEET SIZE:	PROJECT NO:	REV. NO:
A3	904	K





# ADVERTISED PLAN

This copied document to be made available for the sole purpose of enabling its consideration and review as part of a planning process under the Planning and Environment Act 1987. The document must not be used for any purpose which may breach any copyright

**DISTANCE FROM RESIDENTIAL TO BESS INFRASTRUCTURE:**  
 R01: APPROX. 1050m  
**R02: APPROX. 478m**  
 R03: APPROX. 1385m  
 R04: APPROX. 561m  
 R05: APPROX. 1075m  
 R06: APPROX. 776m

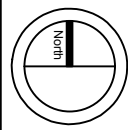
REVISIONS					
REV	STATUS	DESCRIPTION	DATE	D.B.	C.B.
F	FA	SUBSTATION LAYOUT UPDATED	01/03/24	JC	AJ
G	FA	DETAILS AMENDED	05/08/24	XZ	AJ
H	FA	DETAIL INFORMATION AMENDED	09/08/2024	XZ	AJ
I	FA	PROPOSED NEW ACCESS ROAD AMENDED	11/09/2024	XZ	AJ
J	FA	DETAILS AMENDED	16/09/2024	XZ	AJ
K	FA	ROAD DETAILS AMENDED	20/09/2024	XZ	AJ

PROJECT DETAILS:	<b>PINE LODGE BESS</b> 910 SIDEBOTTOMS ROAD, PINE LODGE -36.338782, 145.568635
CLIENT DETAILS:	<b>ACENERGY PTY LTD</b>
DRAWING TITLE:	LOCALITY DIAGRAM 2 OF 2

COPYRIGHT OF THIS DRAWING RESERVED BY ACENERGY PTY LTD. NO PART OF THIS DOCUMENT MAY BE REPRODUCED OR COPIED IN ANY FORM OR BY ANY MEANS WITHOUT CONSENT OF ACENERGY.


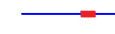





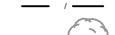




DRAWING NR:	G-2.2_000904_FA-J	
DRAWN BY :	APPROVED BY :	PROJECT MGR :
XZ	AJ	LZ
SCALE :	ISSUE :	ISSUE DATE :
AS INDICATED	FOR APPROVAL	20/09/2024
SHEET SIZE:	PROJECT NO:	REV. NO:
A3	904	K





Overhead Power Pole

**LEGEND:**

-  10m FIRE BREAK
-  ACOUSTIC BARRIER ACCESS LOCATION
-  BATTERY CONTAINER
-  MEDIUM VOLTAGE POWER STATION (MVPS)
-  KIOSK SUBSTATION
-  LANDSCAPING AREA
-  VIEW DIRECTION
-  FIRE HYDRANTS
-  BOUNDARY FENCELINE
-  TREES
-  NATIVE VEGETATION - TO BE REMOVED
-  NATIVE VEGETATION - CONSIDER LOST

**ADVERTISED PLAN**

AS PER CFA GUIDELINES - SECONDARY EMERGENCY ACCESS GATE

NUMBER OF KIOSK SUBSTATIONS TO BE CONFIRMED

20m x 2m WIDE PASSING BAYS AROUND PERIMETER IN ACCORDANCE WITH CFA GUIDELINES

TREE TO BE REMOVED

10x CARPARKS 6.2m MIN CLEARANCE BEHIND FOR ACCESS

TRANSFORMERS

SWITCHING STATION SECTION VIEW REFER PLTS-0355417-001 FOR MORE INFORMATION

SWITCHROOM

FIRE FIGHTING WATER SUPPLY

TREE TO BE REMOVED

MAIN ENTRANCE

6m ACCESS & DELIVERY ROAD EASEMENT (4m WIDE ROAD WITH 2m SPOON DRAIN ALLOWANCE)

Overhead Power Pole

**This copied document to be made available for the sole purpose of enabling its consideration and review as part of a planning process under the Planning and Environment Act 1987. The document must not be used for any purpose which may breach any copyright**

**GENERAL NOTES:**

- DETAIL INFORMATION FOR SITE PLAN REFER TO "G-1.2\_000904\_FA-C"
- DETAIL INFORMATION FOR LOCALITY REFER TO "G-2.1\_000904\_FA-J" TO "G-2.2\_000904\_FA-J"
- DETAIL INFORMATION FOR CENTRAL INVERTER ELEVATION REFER TO "G-3.0\_000904\_FA-C"
- DETAIL INFORMATION FOR BATTERY ELEVATION REFER TO "G-4.0\_000904\_FA-B"
- DETAIL INFORMATION FOR SWITCHING STATION ELEVATION REFER TO "G-5.2\_000904\_FA-D" & "PLTS-0355417-001"
- DETAIL INFORMATION FOR PROPOSED NEW 220KV TOWER 1 ELEVATION REFER TO "PLTS-DRG-PL-0009"
- DETAIL INFORMATION FOR PROPOSED NEW 220KV TOWER 2 ELEVATION REFER TO "PLTS-DRG-PL-0008"

REVISIONS					
REV	STATUS	DESCRIPTION	DATE	D.B.	C.B.
A	FA	INITIAL ISSUE	07/08/2024	XZ	AJ
B	FA	DETAIL INFORMATION AMENDED	09/08/2024	XZ	AJ
C	FA	DETAIL INFORMATION AMENDED	23/08/2024	XZ	AJ
D	FA	DETAIL INFORMATION AMENDED	16/09/2024	XZ	AJ

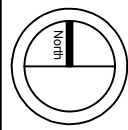
PROJECT DETAILS:	<b>PINE LODGE BESS</b> 918 SIDEBOTTOMS ROAD, PINE LODGE -36.338782, 146.588635
CLIENT DETAILS:	<b>ACENERGY PTY LTD</b>
DRAWING TITLE:	<b>SITE PLAN 1 OF 2</b>

DRAWING NR: G-1.1_000904_FA-D		
DRAWN BY: XZ	APPROVED BY: AJ	PROJECT MGR: LZ
SCALE: AS INDICATED	ISSUE: FOR APPROVAL	ISSUE DATE: 16/09/2024
SHEET SIZE: A3	PROJECT NO: 904	REV. NO: D

COPYRIGHT OF THIS DRAWING RESERVED BY ACENERGY PTY LTD. NO PART OF THIS DOCUMENT MAY BE REPRODUCED OR COPIED IN ANY FORM OR BY ANY MEANS WITHOUT CONSENT OF ACENERGY.

DRAWING NR: G-1.1_000904_FA-D		
DRAWN BY: XZ	APPROVED BY: AJ	PROJECT MGR: LZ
SCALE: AS INDICATED	ISSUE: FOR APPROVAL	ISSUE DATE: 16/09/2024
SHEET SIZE: A3	PROJECT NO: 904	REV. NO: D



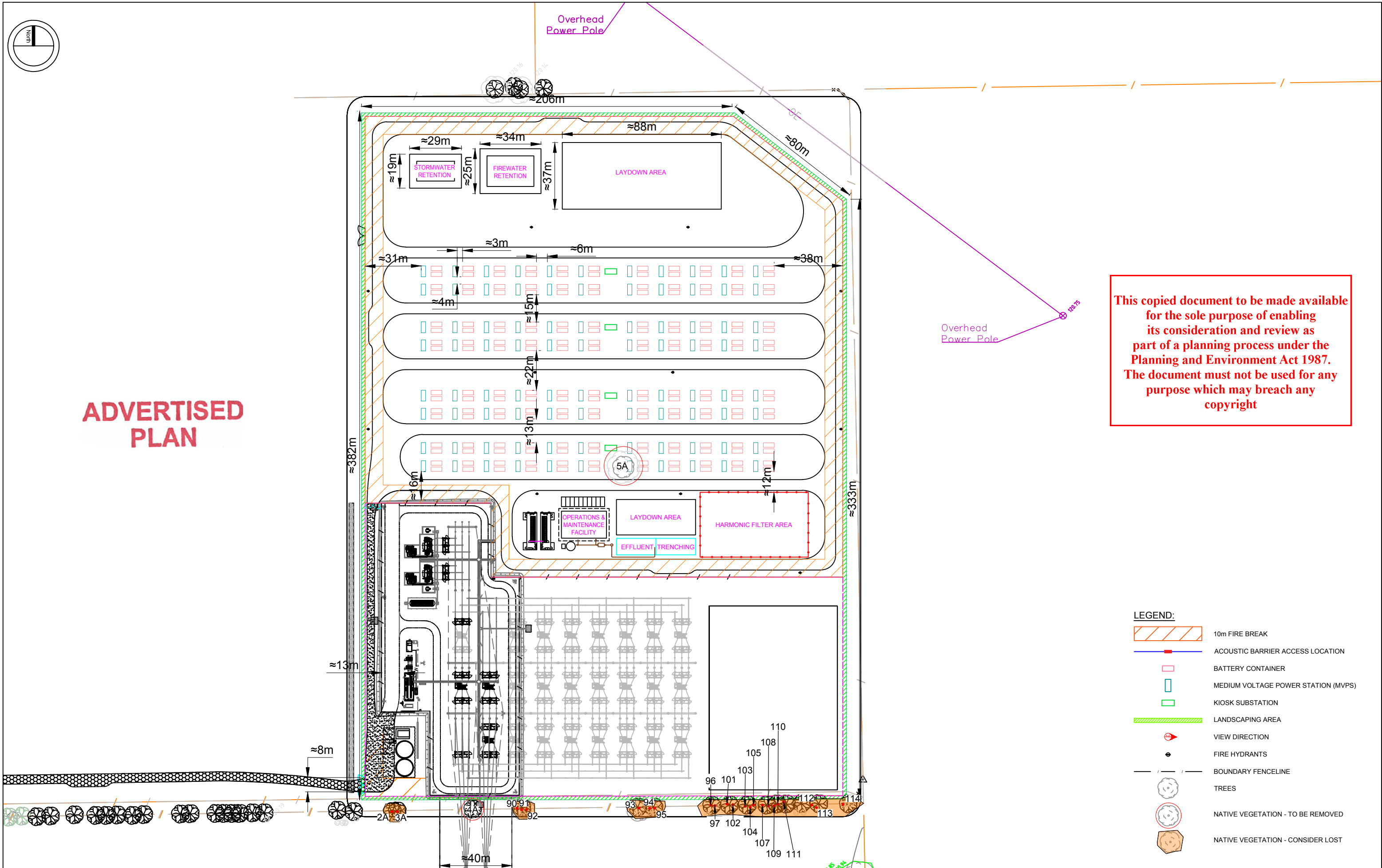


Overhead Power Pole

Overhead Power Pole

This copied document to be made available for the sole purpose of enabling its consideration and review as part of a planning process under the Planning and Environment Act 1987. The document must not be used for any purpose which may breach any copyright

# ADVERTISED PLAN



**LEGEND:**

- 10m FIRE BREAK
- ACOUSTIC BARRIER ACCESS LOCATION
- BATTERY CONTAINER
- MEDIUM VOLTAGE POWER STATION (MVPS)
- KIOSK SUBSTATION
- LANDSCAPING AREA
- VIEW DIRECTION
- FIRE HYDRANTS
- BOUNDARY FENCELINE
- TREES
- NATIVE VEGETATION - TO BE REMOVED
- NATIVE VEGETATION - CONSIDER LOST

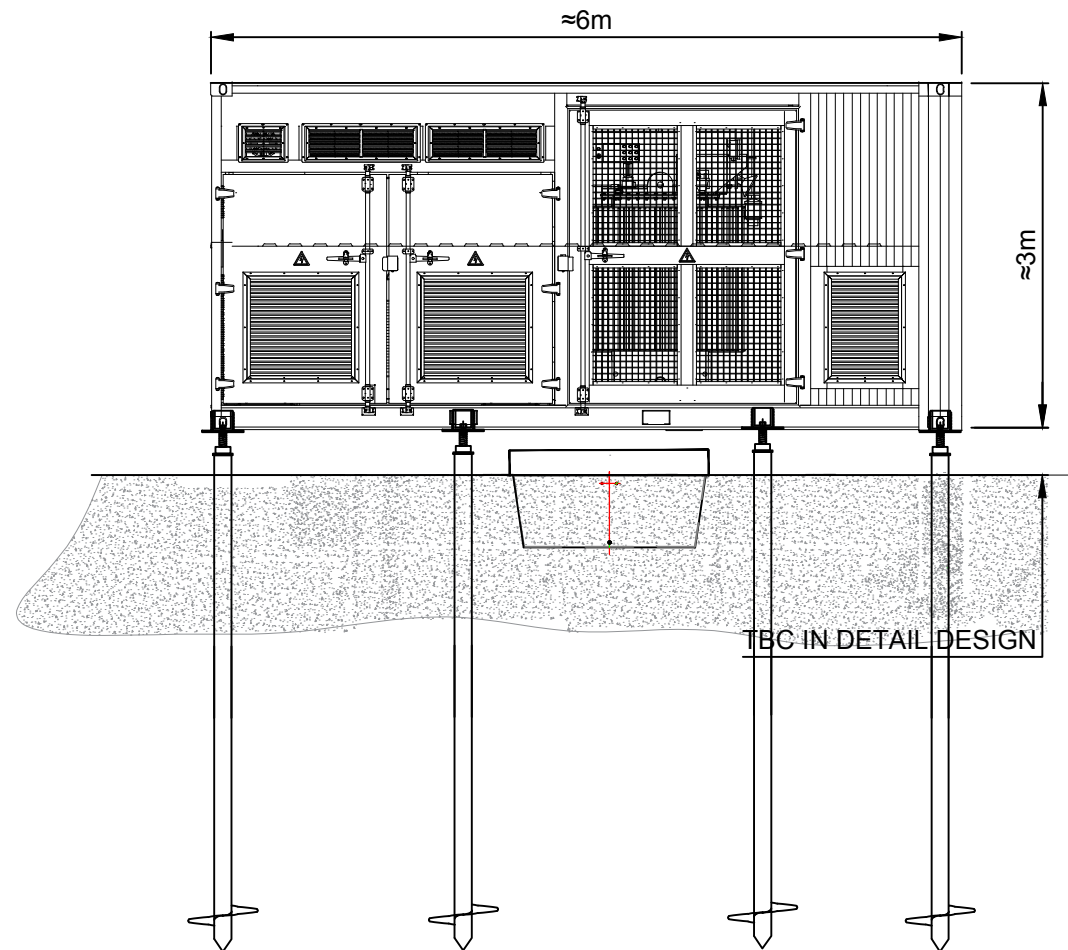
REVISIONS					
REV	STATUS	DESCRIPTION	DATE	D.B.	C.B.
A	FA	INITIAL ISSUE	07/08/2024	XZ	AJ
B	FA	DETAIL INFORMATION AMENDED	09/08/2024	XZ	AJ
C	FA	DETAIL INFORMATION AMENDED	12/09/2024	XZ	AJ
D	FA	DETAIL INFORMATION AMENDED	16/09/2024	XZ	AJ

PROJECT DETAILS:	<b>PINE LODGE BESS</b> 910 SIDEBOTTOMS ROAD, PINE LODGE -36.338782, 145.568635
CLIENT DETAILS:	<b>ACENERGY PTY LTD</b>
DRAWING TITLE:	<b>SITE PLAN 2 OF 2</b>

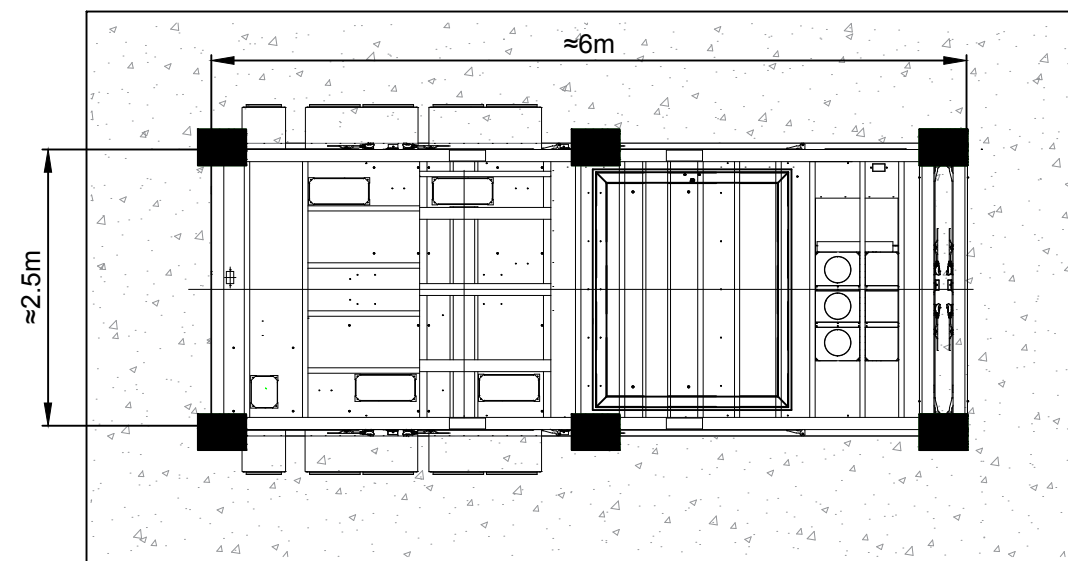
COPYRIGHT OF THIS DRAWING RESERVED BY ACENERGY PTY LTD. NO PART OF THIS DOCUMENT MAY BE REPRODUCED OR COPIED IN ANY FORM OR BY ANY MEANS WITHOUT CONSENT OF ACENERGY.

DRAWING NR:	G-1.2_000904_FB-C	
DRAWN BY:	XZ	APPROVED BY: AJ
PROJECT MGR:	LZ	
SCALE:	AS INDICATED	ISSUE DATE: 16/09/2024
SHEET SIZE:	A3	PROJECT NO: 904
REV. NO:	D	





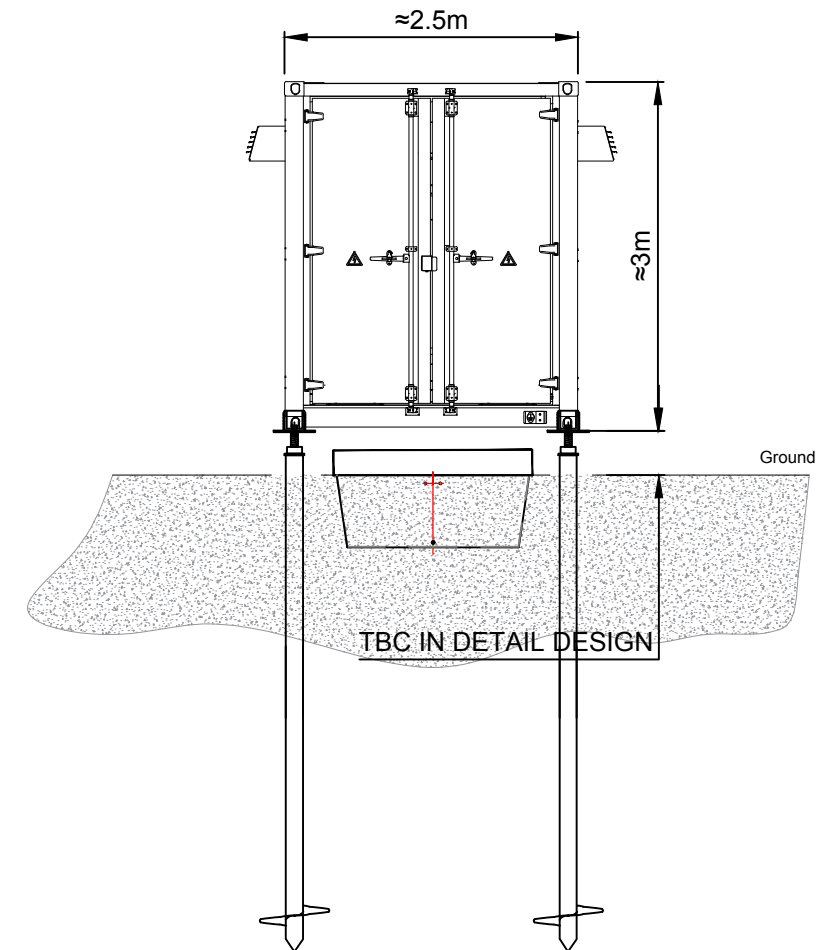
**FRONT VIEW**  
SCALE 1:100



**BOTTOM VIEW**  
SCALE 1:100

This copied document to be made available for the sole purpose of enabling its consideration and review as part of a planning process under the Planning and Environment Act 1987. The document must not be used for any purpose which may breach any copyright

**ADVERTISED PLAN**



**SIDE VIEW**  
SCALE 1:100



**TYPICAL MVPS CONTAINER**

GREY COLOUR  
POWDER COATED STEEL

REVISIONS					
REV	STATUS	DESCRIPTION	DATE	D.B.	C.B.
A	FA	INITIAL ISSUE	25/10/2021	XT	RZ
B	FA	SITE PLAN UPDATED	31/01/2022	XT	RZ
C	FA	SCREW PILE AMENDED	01/08/2024	XZ	AJ

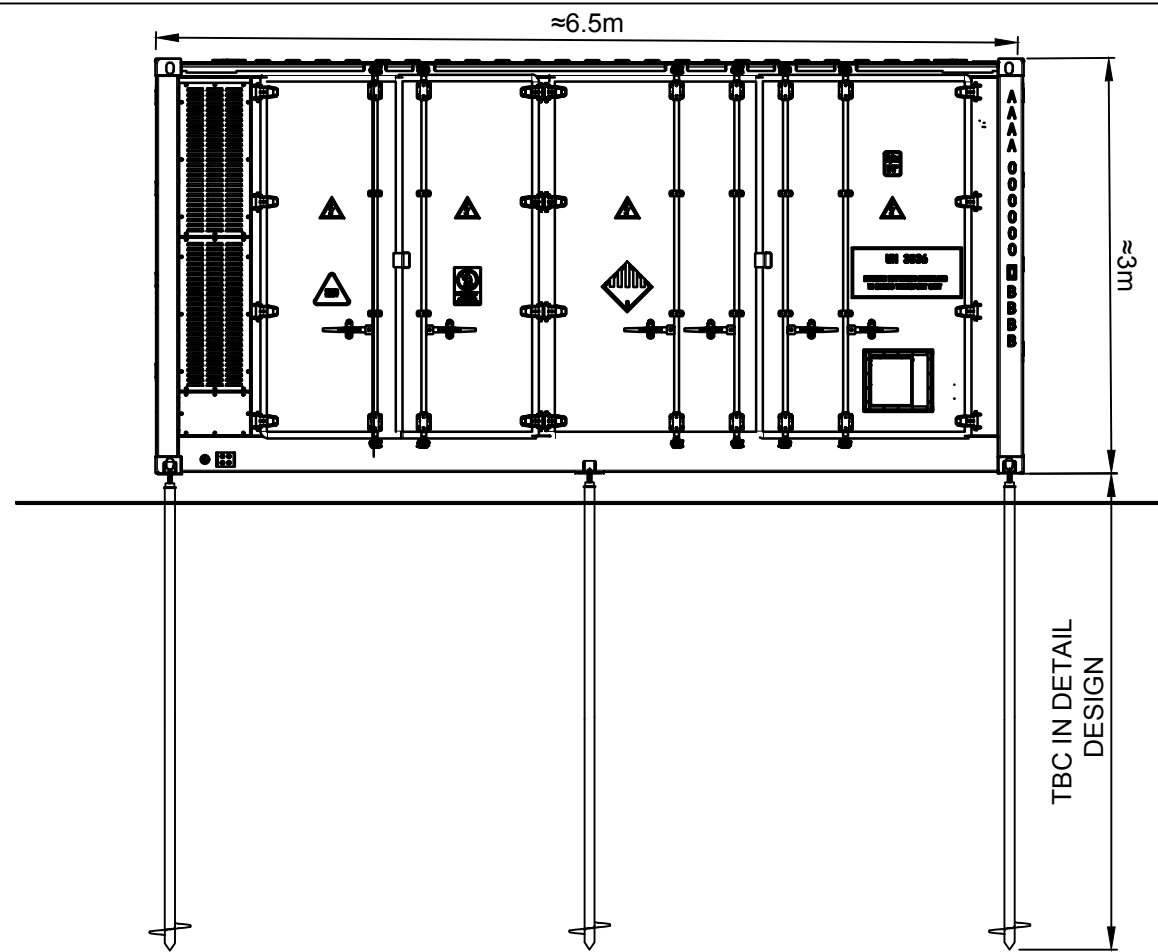
PROJECT DETAILS:	<b>PINE LODGE BESS</b> 910 SIDEBOTTOMS ROAD, PINE LODGE -38.338782, 145.588835
CLIENT DETAILS:	<b>ACENERGY PTY LTD</b>
DRAWING TITLE:	<b>MVPS ELEVATION</b>

COPYRIGHT OF THIS DRAWING RESERVED BY ACENERGY PTY LTD. NO PART OF THIS DOCUMENT MAY BE REPRODUCED OR COPIED IN ANY FORM OR BY ANY MEANS WITHOUT CONSENT OF ACENERGY.

DRAWING NR:	G-3.0_000904_FA-C	
DRAWN BY :	XZ	APPROVED BY : AJ
SCALE :	AS INDICATED	ISSUE DATE : 01/08/2024
SHEET SIZE:	A3	PROJECT NO: 904
		REV. NO: C

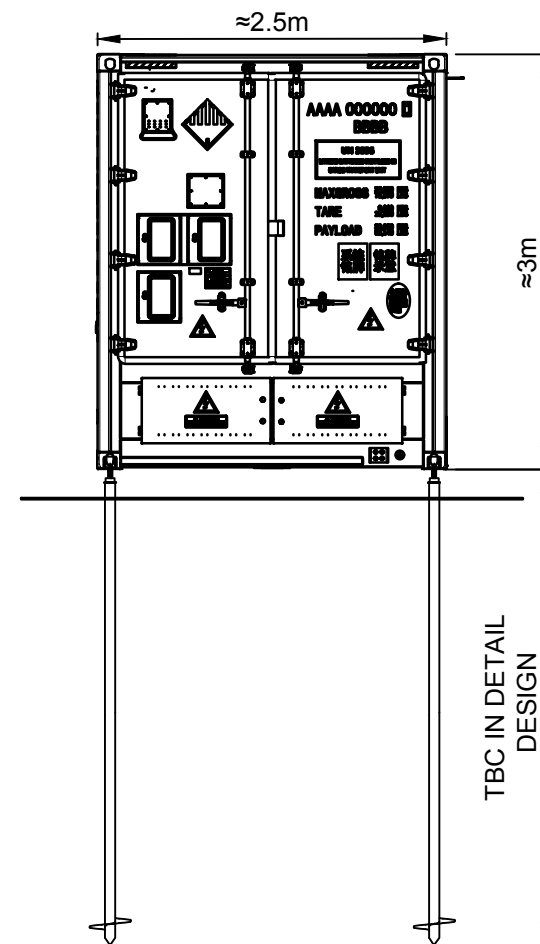
PROJECT MGR :	LZ
---------------	----





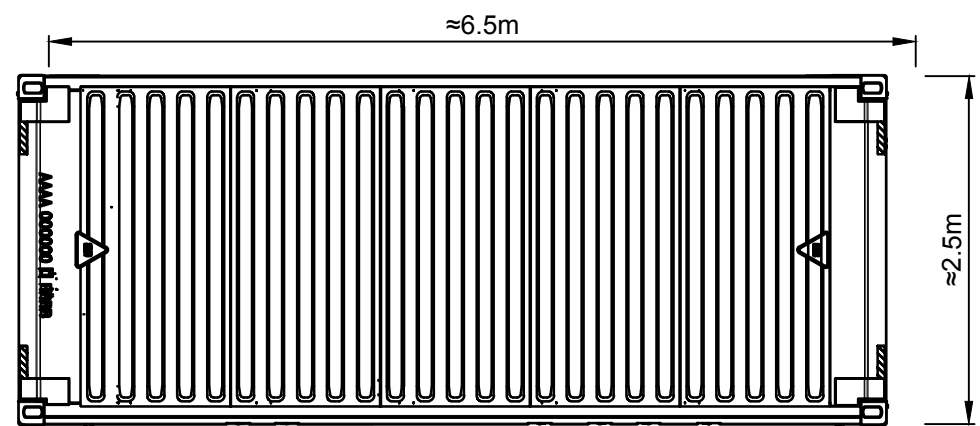
FRONT VIEW

This copied document to be made available for the sole purpose of enabling its consideration and review as part of a planning process under the Planning and Environment Act 1987. The document must not be used for any purpose which may breach any copyright

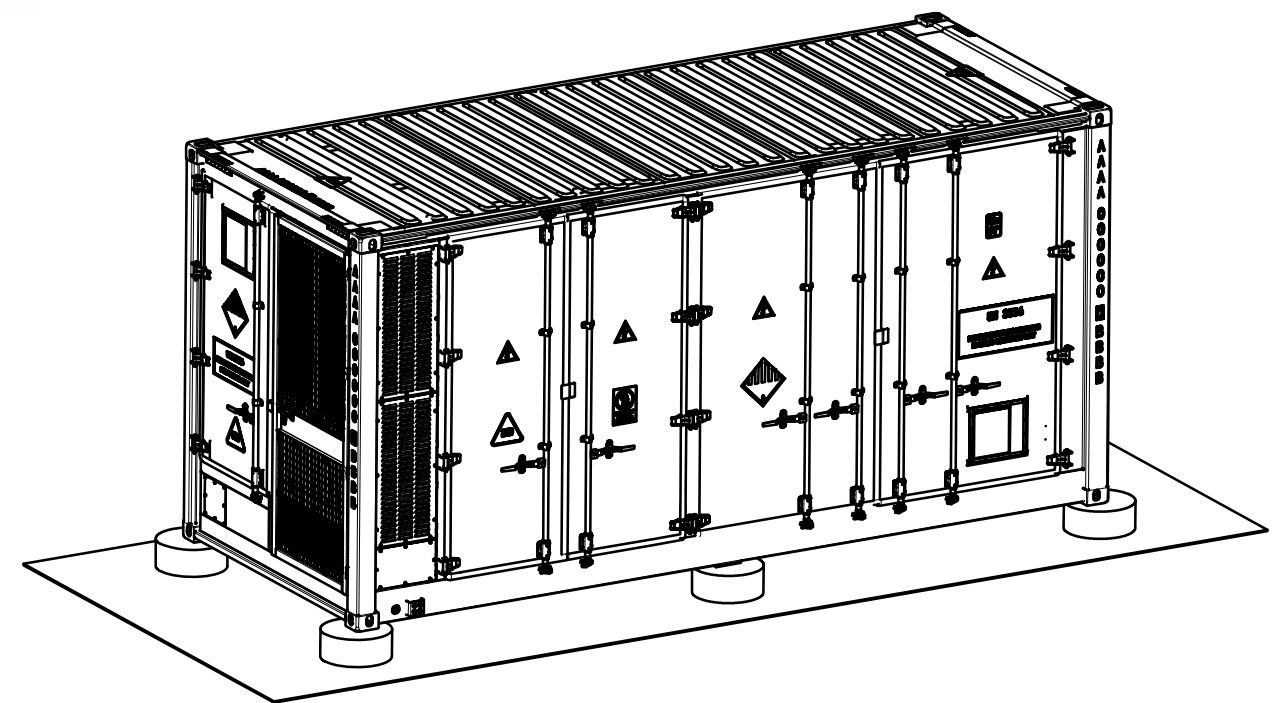


SIDE VIEW

ADVERTISED PLAN



TOP VIEW



TYPICAL ENERGY STORAGE CONTAINER

REVISIONS					
REV	STATUS	DESCRIPTION	DATE	D.B.	C.B.
A	FA	INITIAL ISSUE	25/10/2021	XT	RZ
B	FA	SCREW PILE AMENDED	01/08/2024	XZ	AJ

PROJECT DETAILS:	PINE LODGE BESS 910 SIDEBOTTOMS ROAD, PINE LODGE -38.338782, 145.568635
CLIENT DETAILS:	ACENERGY PTY LTD
DRAWING TITLE:	ENERGY STORAGE CONTAINER ELEVATIONS

COPYRIGHT OF THIS DRAWING RESERVED BY ACENERGY PTY LTD. NO PART OF THIS DOCUMENT MAY BE REPRODUCED OR COPIED IN ANY FORM OR BY ANY MEANS WITHOUT CONSENT OF ACENERGY.

DRAWING NR:	G-4.0_000904_FA-B	
DRAWN BY :	XZ	APPROVED BY : AJ
SCALE :	AS INDICATED	FOR APPROVAL
SHEET SIZE:	A3	PROJECT NO: 904

PROJECT MGR :	LZ
ISSUE DATE :	01/08/2024
REV. NO:	B



**NOTE:**

- AUSNET SWITCHING STATION AND NEW TOWER ARE FOR INFORMATION ONLY (DETAIL INFORMATION TBC BY AUSNET DESIGN)

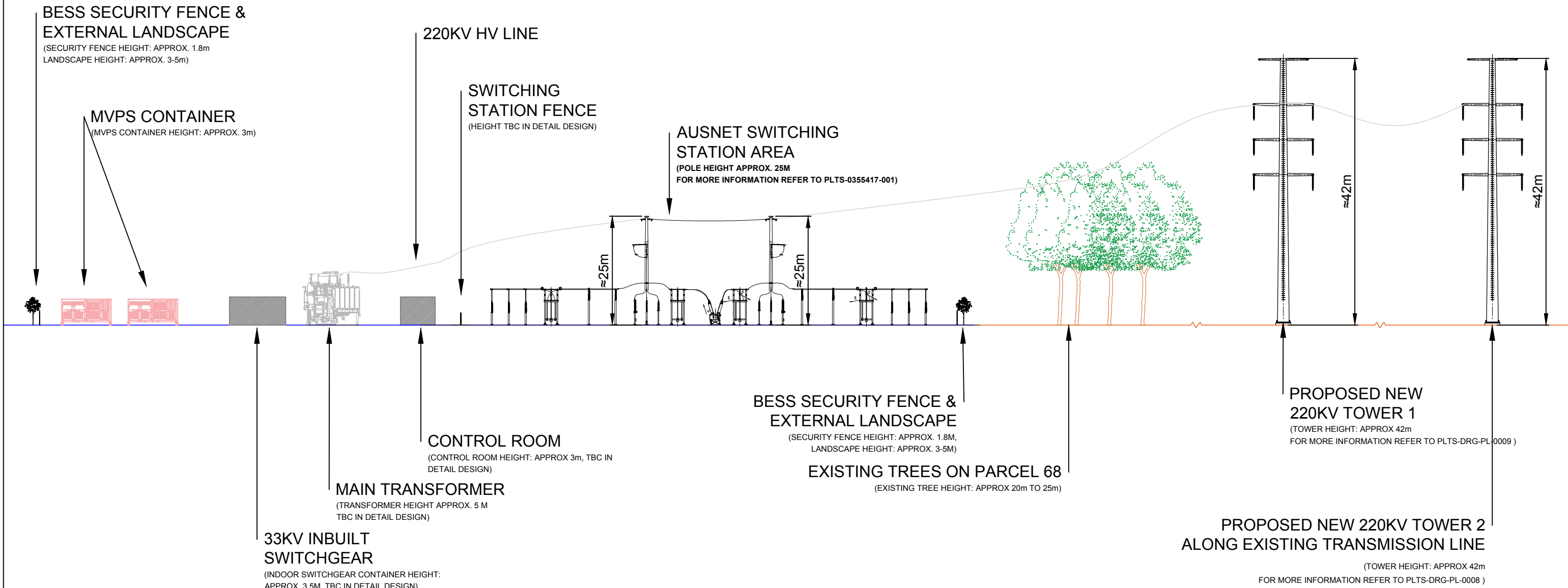
This copied document to be made available for the sole purpose of enabling its consideration and review as part of a planning process under the Planning and Environment Act 1987. The document must not be used for any purpose which may breach any copyright

**PARCEL 69**  
**(AUSNET SWITCHING STATION, PINE LODGE BESS)**

**PARCEL 68**  
**(NEW HV CABLE ROUTE, AUSNET EXISTING TRANSMISSION LINE)**



**ADVERTISED PLAN**



REVISIONS					
REV	STATUS	DESCRIPTION	DATE	D.B.	C.B.
A	FA	INITIAL ISSUE	03/03/2022	XT	RZ
B	FA	DRAWING UPDATED	15/03/2022	XT	RZ
C	FA	DETAILS AMENDED	05/08/2024	XZ	RZ
D	FA	DETAILS AMENDED	12/09/2024	XZ	RZ
E	FA	DETAILS INFORMATION AMENDED	16/09/2024	XZ	AJ

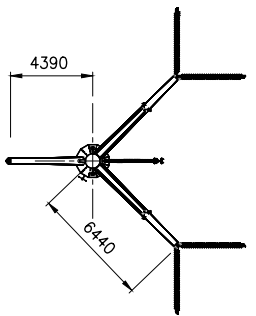
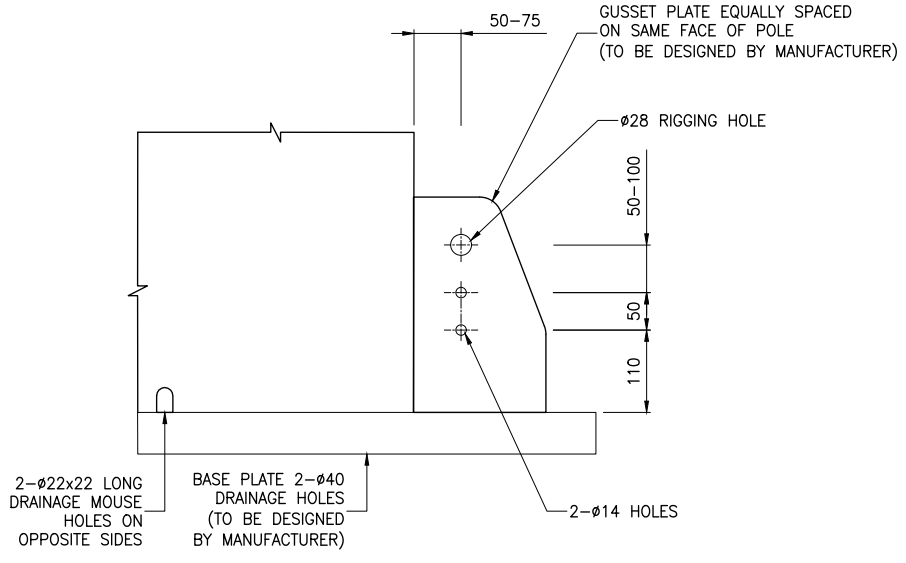
<b>PROJECT DETAILS:</b>	<b>PINE LODGE BESS</b> 910 SIDEBOTTOMS ROAD, PINE LODGE -38.338782, 145.058635
<b>CLIENT DETAILS:</b>	<b>ACENERGY PTY LTD</b>
<b>DRAWING TITLE:</b>	<b>CONNECTION ROUTE ELEVATION</b>

COPYRIGHT OF THIS DRAWING RESERVED BY ACENERGY PTY LTD. NO PART OF THIS DOCUMENT MAY BE REPRODUCED OR COPIED IN ANY FORM OR BY ANY MEANS WITHOUT CONSENT OF ACENERGY.

DRAWING NR:	G-5.2_000904_FA-D	
DRAWN BY :	APPROVED BY :	PROJECT MGR :
XZ	AJ	LZ
SCALE :	ISSUE :	ISSUE DATE :
AS INDICATED	FOR APPROVAL	12/09/2024
SHEET SIZE:	PROJECT NO:	REV. NO:
A3	904	E

DRAWING NR: G-5.2_000904_FA-D		
DRAWN BY :	APPROVED BY :	PROJECT MGR :
XZ	AJ	LZ
SCALE :	ISSUE :	ISSUE DATE :
AS INDICATED	FOR APPROVAL	12/09/2024
SHEET SIZE:	PROJECT NO:	REV. NO:
A3	904	E

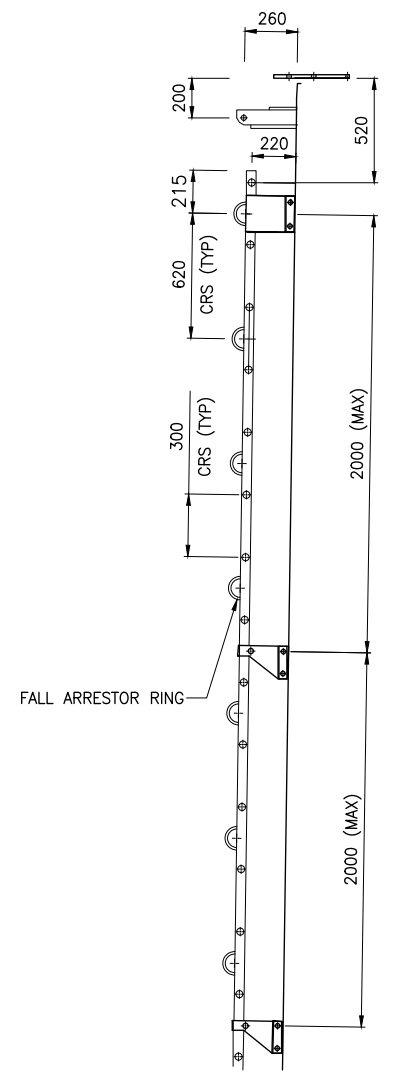




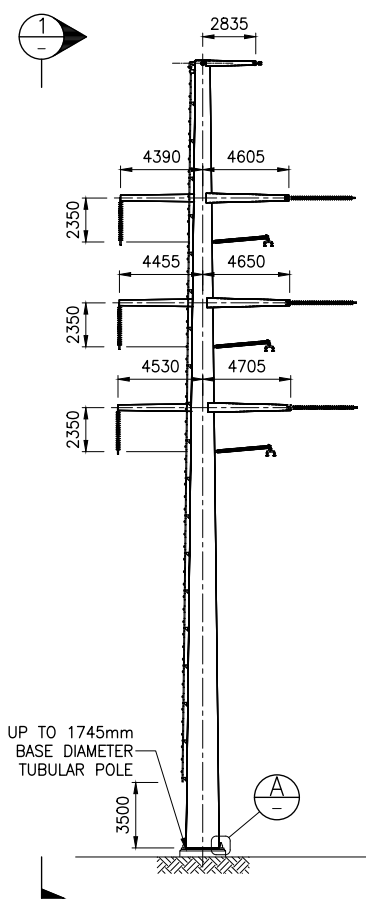
PLAN VIEW  
SCALE 1:200

HOLES IN 4-OFF GUSSET PLATES ONLY  
EVENLY SPACED AROUND THE POLE.

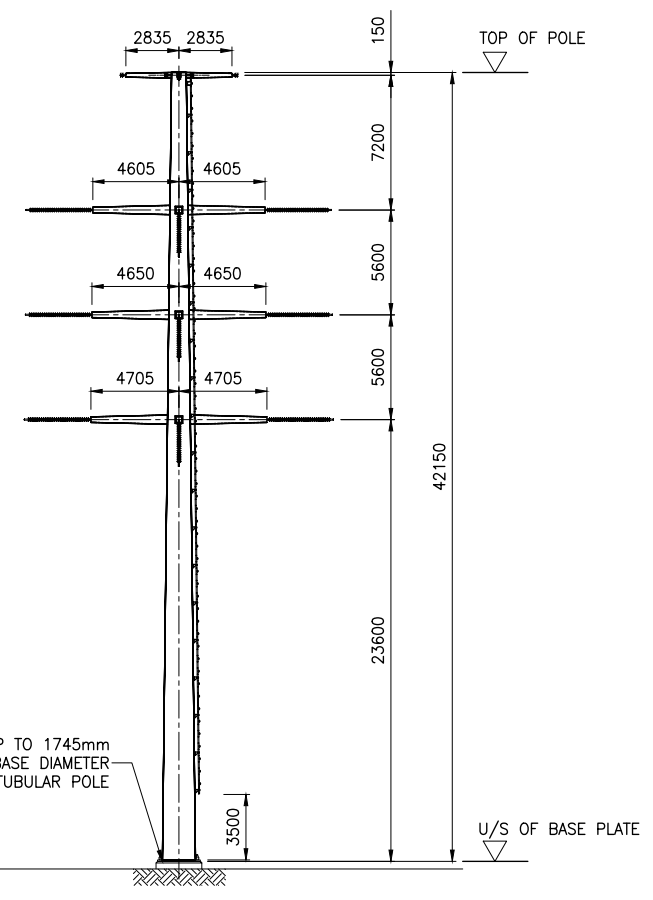
DETAIL A  
SCALE 1:N.T.S.



LADDER TYPICAL DETAIL  
SCALE N.T.S.



FRONT ELEVATION VIEW  
SCALE 1:200

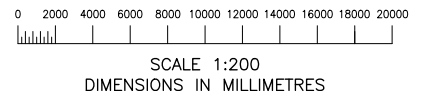


SECTION 1  
SCALE 1:200 LEFT HAND SIDE  
ELEVATION VIEW

This copied document to be made available  
for the sole purpose of enabling  
its consideration and review as  
part of a planning process under the  
Planning and Environment Act 1987.  
The document must not be used for any  
purpose which may breach any  
copyright

ADVERTISED  
PLAN

FOR TENDER



OPGW SUSPENSION ASSEMBLY	T1/250/329
OPGW STRAIN ASSEMBLY	T1/250/330
FOOTING DETAILS	PLTS-DRG-PL-0037
LOADING TREES	PLTS-DRG-PL-0015
220kV SUSPENSION ASSEMBLY TWIN LEMON COMPOSITE & PORCELAIN INSULATORS	T1/250/325
TWIN LEMON HARDWARE ARRANGEMENT	T1/250/314
TYPICAL BRIDGING POST ASSEMBLY	PLTS-DRG-PL-0063
DRAWING TITLE	DRAWING No.

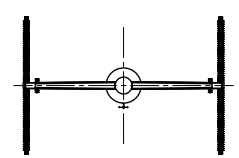
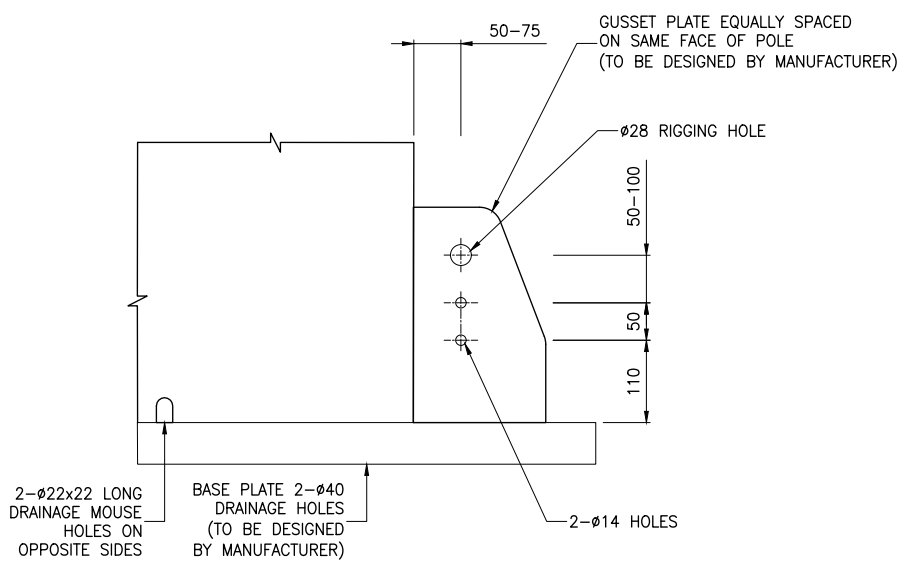
DATE	REV	DESCRIPTION	BY	CONTRACTOR	ISSUED
17.10.23	0.2	ISSUED FOR TENDER (TC-0013315)	M.C	AURECON	ENDORSED DATE
10.08.23	0.1	ISSUED FOR REVIEW	M.C	AURECON	ENDORSED DATE

			<b>220kV TRANSMISSION LINES</b> <b>SHTS-PLTS-GNTS 220kV LINE</b> <b>POLE STRUCTURE 404A</b> <b>GENERAL ARRANGEMENT</b>		
DRAWN M. CHAPMAN	ENDORSED REV 02	Spec No.	Order No.	Legacy No.	Drawing No.
			<b>PLTS-DRG-PL-0008</b>		

0.2



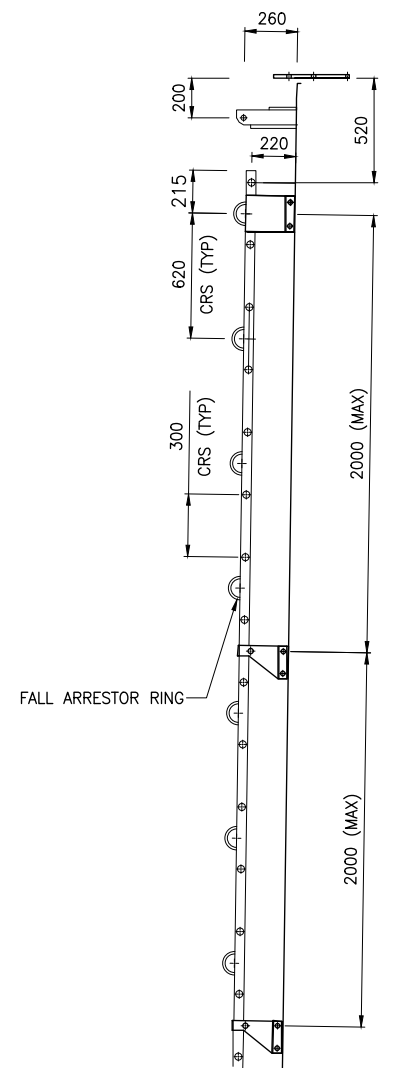
- NOTES:**
- LOAD TREES TO BE FINALISED DURING DETAILED DESIGN. FOR TENDER DESIGN, REFER DRG PLTS-DRG-PL-0018.
  - FOR FOUNDATION DETAILS, REFER DRG PLTS-DRG-PL-0037.
  - THE STRUCTURE PRESENTED IN THIS SKETCH IS A HIGH LEVEL REPRESENTATION. STRUCTURE TO BE UPDATED AS REQUIRED DURING DETAILED DESIGN.
  - BORED PILE AND STEEL POLE DIMENSIONS ARE INDICATIVE AND FOR ESTIMATION PURPOSES ONLY. THESE NEED TO BE CONFIRMED WITH A FULL STRUCTURAL ANALYSIS IN THE DETAILED DESIGN STAGE.
  - ALL STEELWORK TO BE HOT DIPPED GALVANISED TO AS/NZS 4680:2006.
  - TO BE READ IN CONJUNCTION WITH STEEL POLE SPECIFICATION.



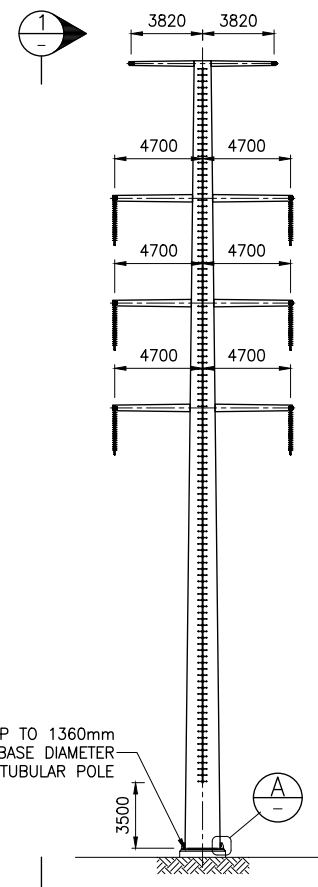
**PLAN VIEW**  
SCALE 1:200

HOLES IN 4-OFF GUSSET PLATES ONLY EVENLY SPACED AROUND THE POLE.

**DETAIL A**  
SCALE 1:N.T.S.

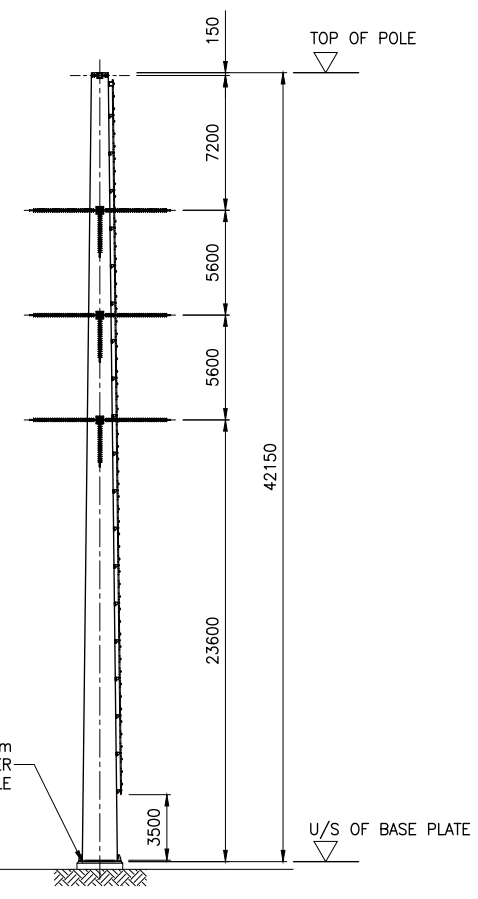


**LADDER TYPICAL DETAIL**  
SCALE N.T.S.



**FRONT ELEVATION VIEW**  
SCALE 1:200

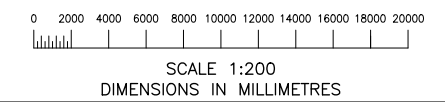
**ADVERTISED PLAN**



**SECTION 1**  
SCALE 1:200 LEFT HAND SIDE ELEVATION VIEW

This copied document to be made available for the sole purpose of enabling its consideration and review as part of a planning process under the Planning and Environment Act 1987. The document must not be used for any purpose which may breach any copyright

**FOR TENDER**



REFERENCE DRAWINGS	DRAWING No.	REVISION	DATE	REV	DESCRIPTION	BY	CONTRACTOR	ISSUED	ENDORSED DATE	Spec No.	Order No.	Legacy No.
BRIDGING ASSEMBLY	T1/250/325											
GRAPE STRAIN ASSEMBLY	T1/250/300											
OPGW STRAIN ASSEMBLY	T1/250/330											
POLE STRUCTURE 404A & 404B FOOTINGS DETAILS	PLTS-DWG-PL-0037											
STRUCTURE 404B LOADING TREE	PLTS-DWG-PL-0018		17.10.23	0.2	ISSUED FOR TENDER (TC-0013315)	M.C	AURECON	ENDORSED	REV 02			
TWIN LEMON HARDWARE ARRANGEMENT	T1/250/314		10.08.23	0.1	ISSUED FOR REVIEW	M.C	AURECON	ENDORSED DATE				
DRAWING TITLE	DRAWING No.											

**AusNet**  
DRAWN M. CHAPMAN  
ENDORSED REV 02

220kV TRANSMISSION LINES  
SHTS-PLTS-GNTS 220kV LINE  
POLE STRUCTURE 404B  
GENERAL ARRANGEMENT

Contractors No. **PLTS-DRG-PL-0009**

0.2