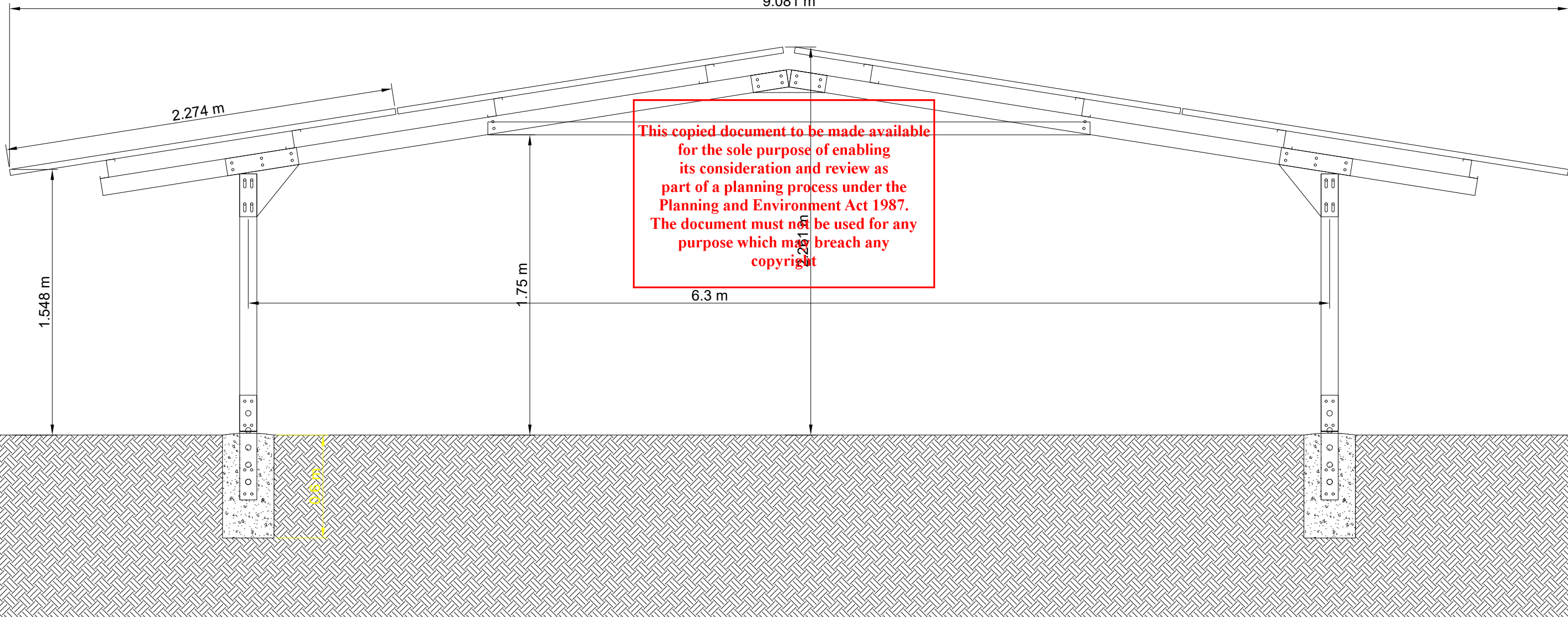


ADVERTISED PLAN



REV NO.	DATE	BY	DESCRIPTION
REV1	15/03/21	HLB	INITIAL RELEASE - FOR CLIENT AND ENGINEER REVIEW
REVISIONS			



PROJECT:
EAST WEST FRAME DESIGN
MANUFACTURED BY
SOLAR MOUNTING SYSTEMS

SITE ADDRESS:
LOT 1 / TP106246, BADDAGINNIE, VIC

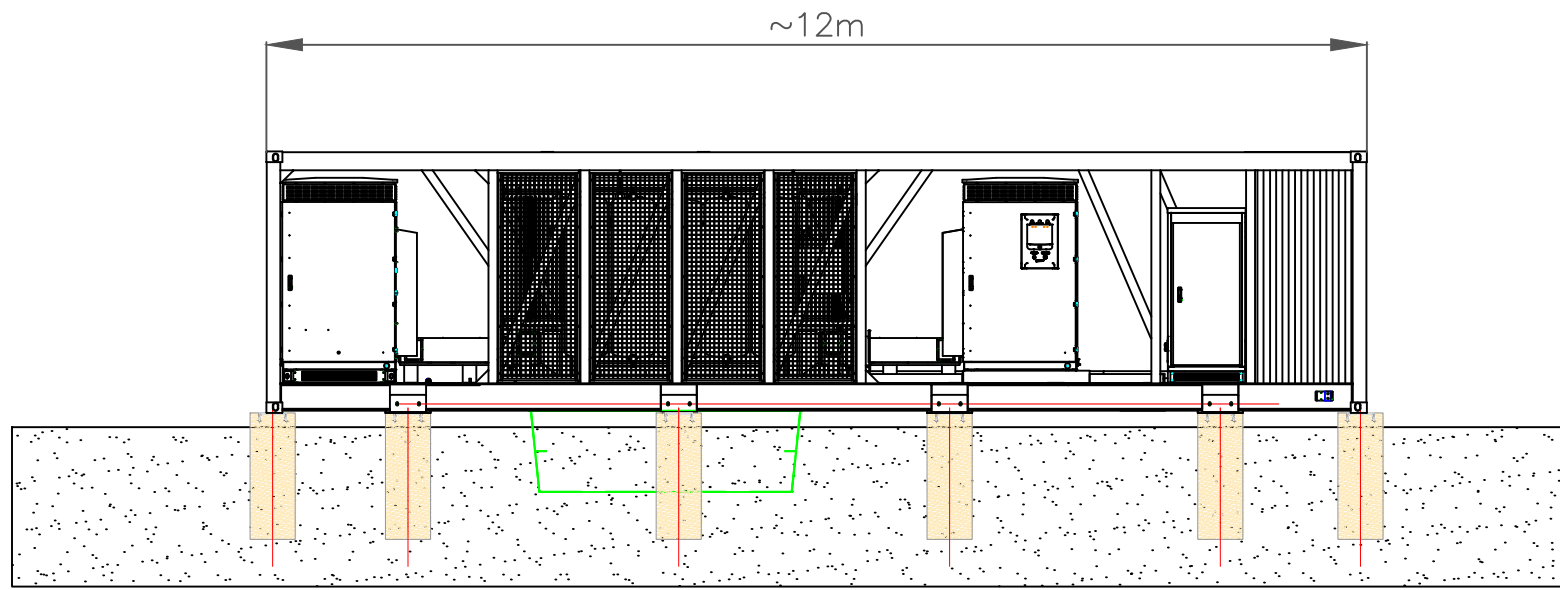
TITLE: FRAME CROSS-SECTION - JINKO FRAME CROSS-SECTION FOR CLIENT REVIEW				DRAWING NO.	REV.
DESIGNED:	HLB	SCALE:	NOT TO SCALE	40-FCS	A
DRAWN:	HLB	JOB NO.:	SMS0040		
CHECKED:	MS	DATE:	15/03/2021		

Notes:

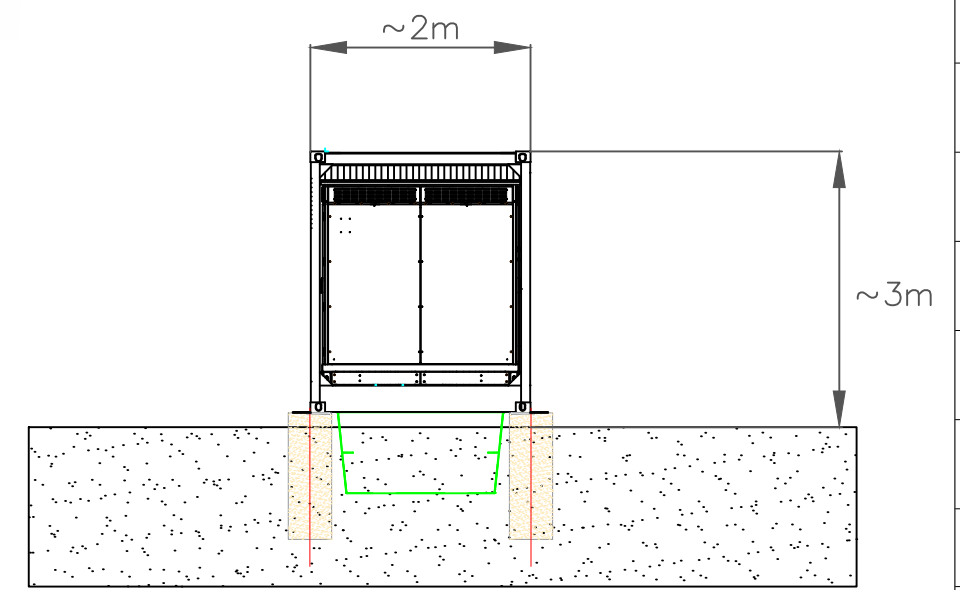
1. For planning approval only, not for construction
2. Oil tray to be installed beneath PCS

This copied document to be made available for the sole purpose of enabling its consideration and review as part of a planning process under the Planning and Environment Act 1987. The document must not be used for any purpose which may breach any copyright

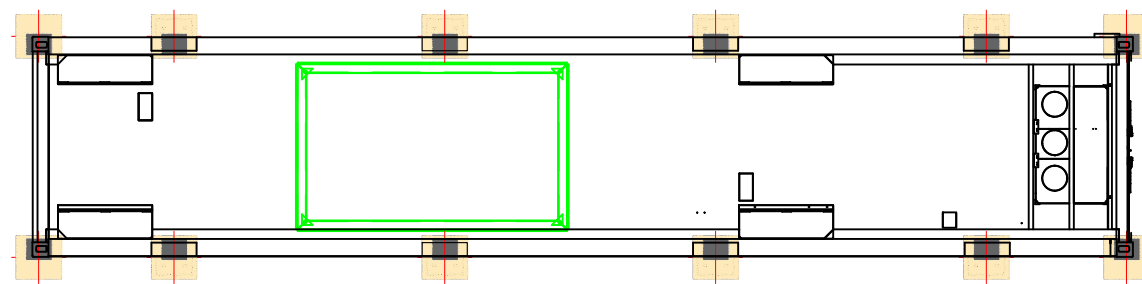
ADVERTISED PLAN



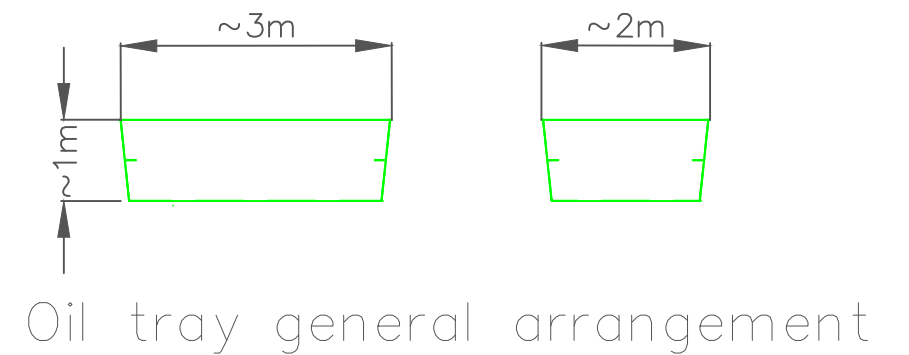
View from front of PCS



View from end of PCS



View from above PCS



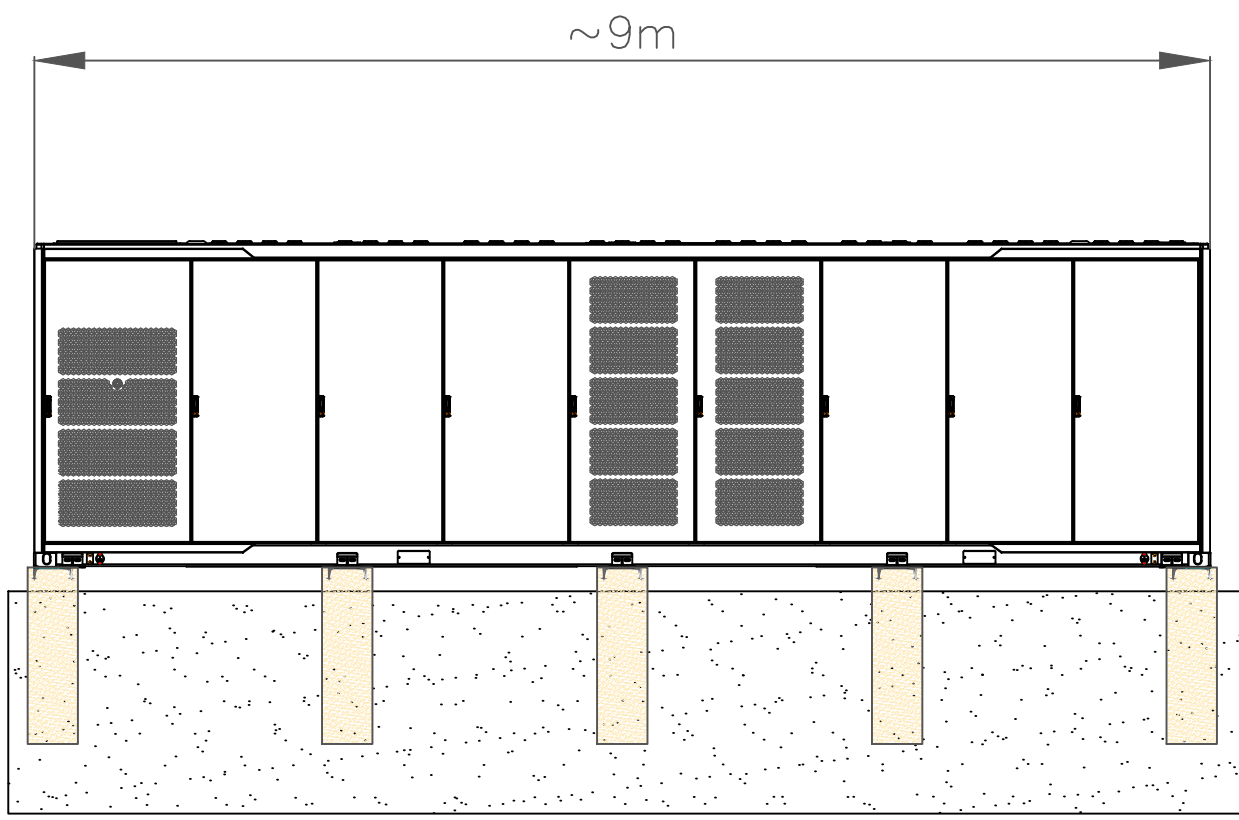
Oil tray general arrangement

Rev.	DATE	BY	CHK.	REVISION NOTES
A01	16/07/23	RC	AA	First issue

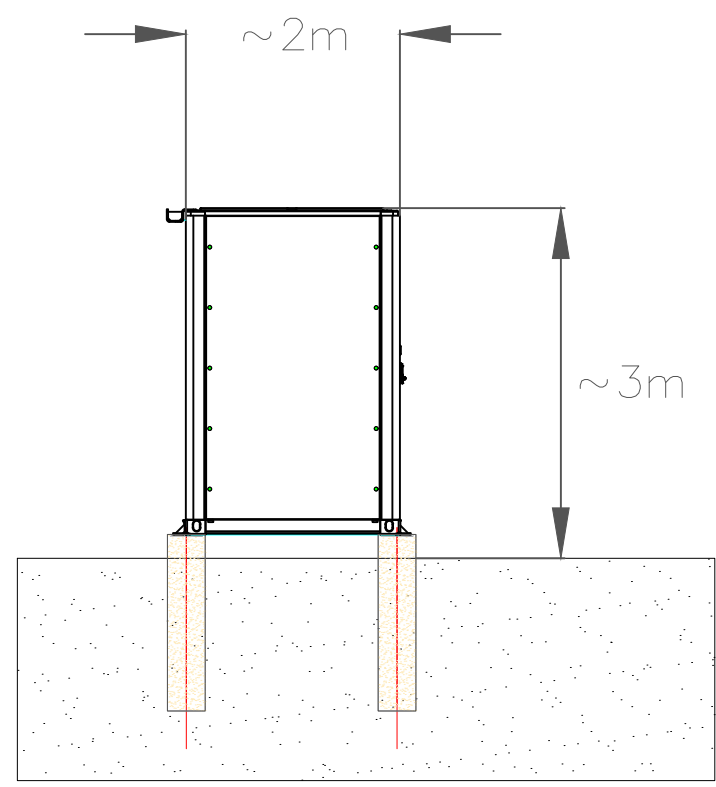
PROPERTY OF BIRDWOOD ENERGY PTY LTD, ABN 18 658 194 177
 AND/OR ITS RELATED BODIES CORPORATE AS DEFINED IN THE CORPORATIONS
 ACT ("BIRDWOOD ENERGY") - ALL RIGHTS, TITLE AND INTERESTS
 RESERVED. STRICTLY NO USE, COPYING OR REPRODUCTION PERMITTED
 WITHOUT WRITTEN PERMISSION FROM BIRDWOOD ENERGY

birdwood energy
 Level 18, 1 Nicholson St
 VIC 3001, Australia
 East Melbourne
<https://www.birdwoodenergy.com/>

Scale: 1:80	SHEET 1 OF 1	A3
BA2-Baddaginnie Solar Farm PCS general arrangement		
BA2-SF-DWG-004	REV	A01



View from front of BESS

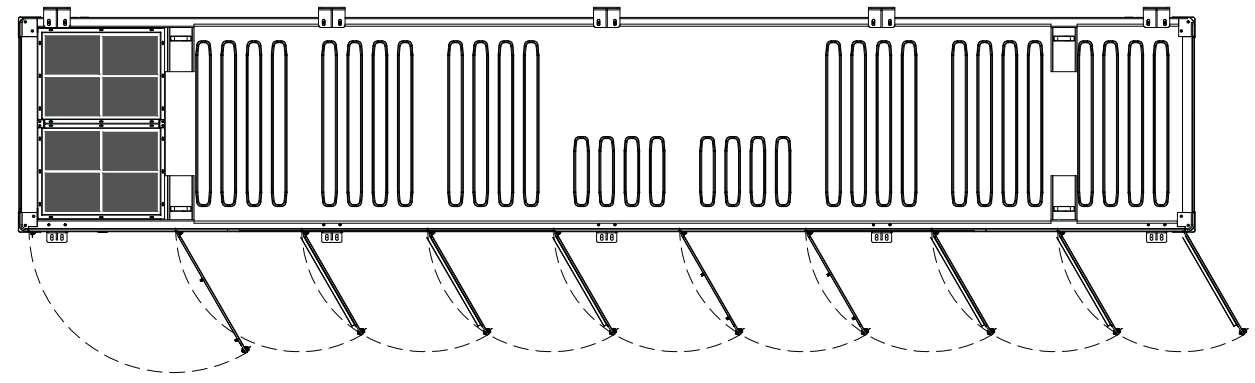


View from end of BESS

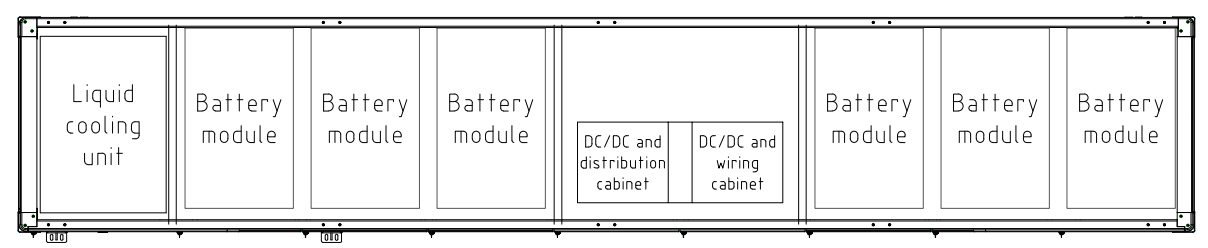
Notes:
1. For planning approval only, not for construction

This copied document to be made available for the sole purpose of enabling its consideration and review as part of a planning process under the Planning and Environment Act 1987. The document must not be used for any purpose which may breach any copyright

ADVERTISED PLAN



View from above BESS



BESS compartments

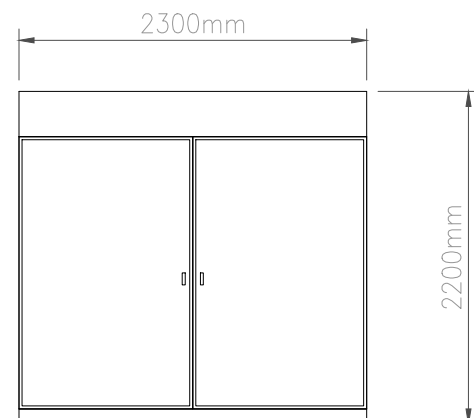
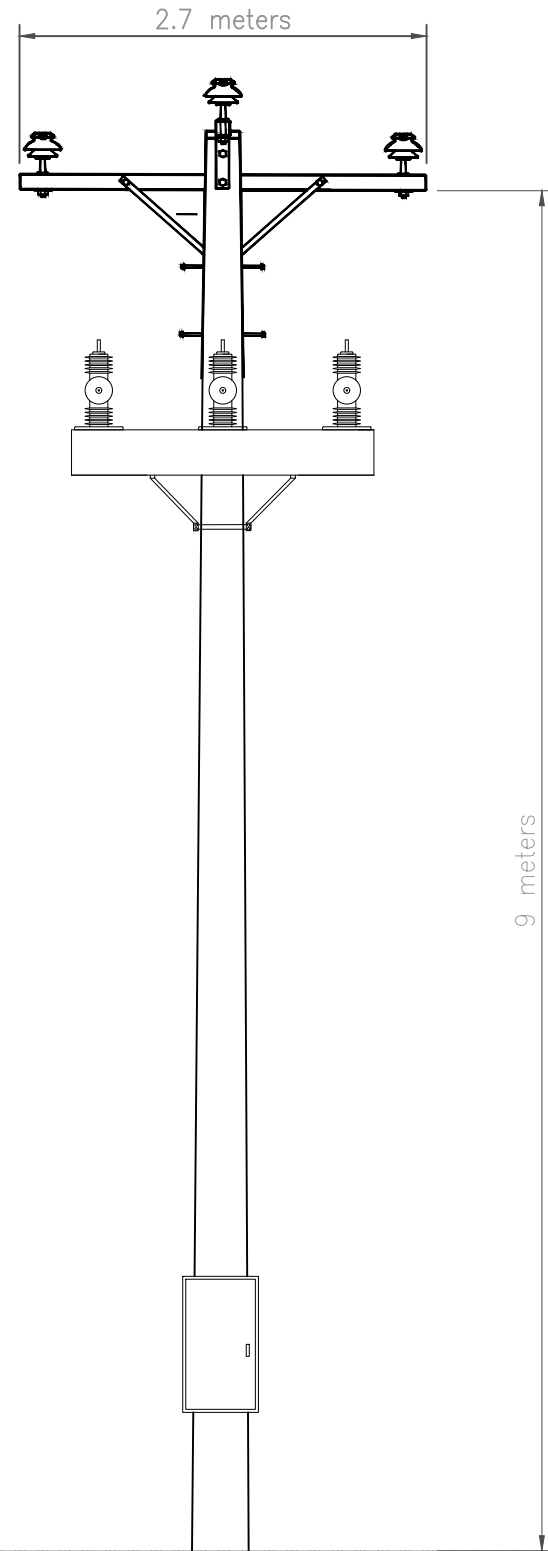
Rev.	DATE	BY	CHK.	REVISION NOTES
A01	16/07/23	RC	AA	First release

PROPERTY OF BIRDWOOD ENERGY PTY LTD, ABN 18 658 194 177 AND/OR ITS RELATED BODIES CORPORATE AS DEFINED IN THE CORPORATIONS ACT ("BIRDWOOD ENERGY") - ALL RIGHTS, TITLE AND INTERESTS RESERVED. STRICTLY NO USE, COPYING OR REPRODUCTION PERMITTED WITHOUT WRITTEN PERMISSION FROM BIRDWOOD ENERGY

birdwood energy
Level 18, 1 Nicholson St
VIC 3001, Australia
East Melbourne
<https://www.birdwoodenergy.com/>

Scale: 1:60	SHEET 1 OF 1	A3
BA2-Baddaginniel Solar Farm BESS general arrangement		
BA2-SF-DWG-003	REV	A01

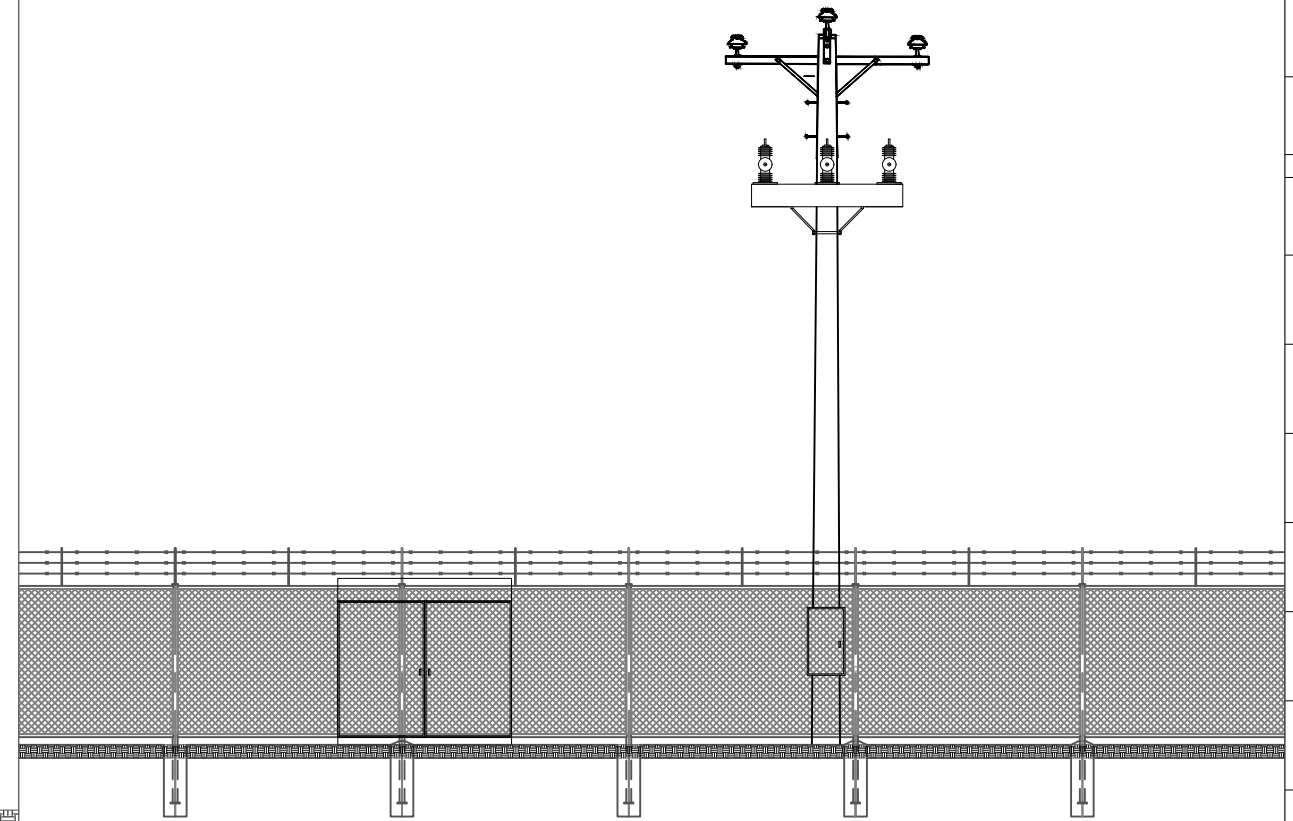
**ADVERTISED
PLAN**



PAD MOUNT KIOSK
SCALE 1:50

NEW 22kV POLE & RECLOSER
SCALE 1:50

This copied document to be made available for the sole purpose of enabling its consideration and review as part of a planning process under the Planning and Environment Act 1987. The document must not be used for any purpose which may breach any copyright



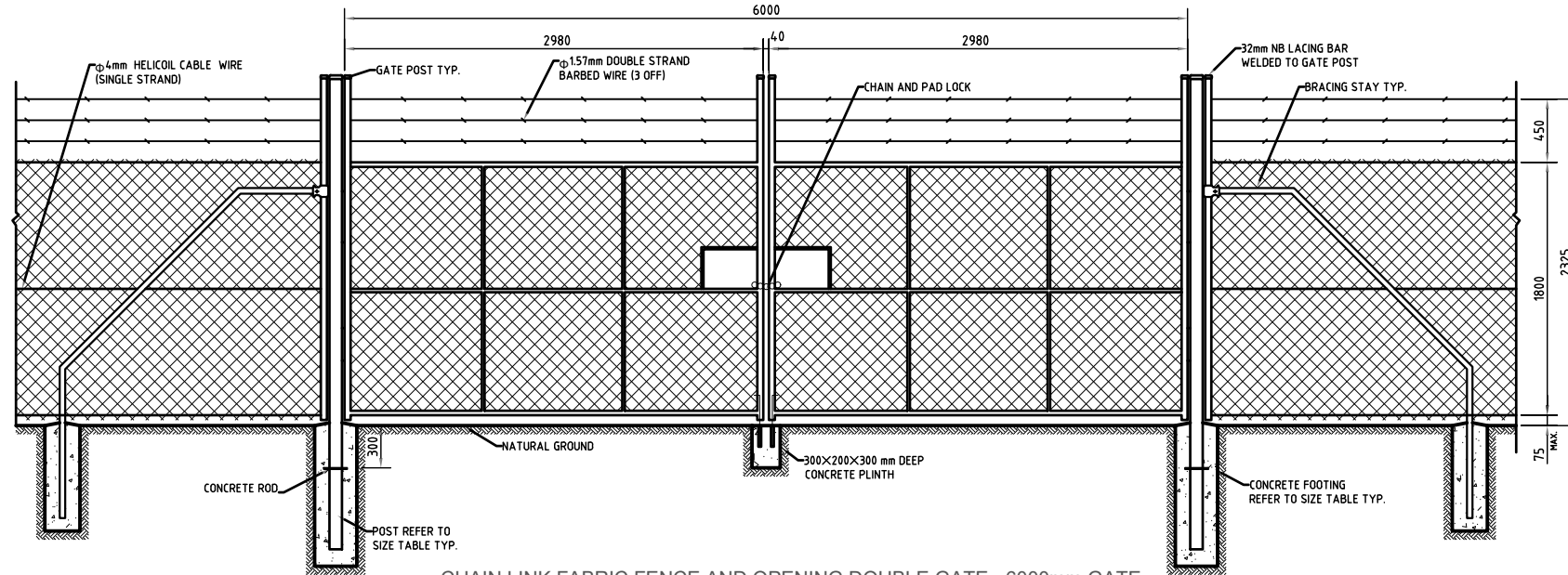
Rev.	DATE	BY	CHK.	REVISION NOTES
A01	24/07/23	RC	AA	Indicative elevations for planning submissions

PROPERTY OF BIRDWOOD ENERGY PTY LTD, ABN 18 658 194 177
AND/OR ITS RELATED BODIES CORPORATE AS DEFINED IN THE CORPORATIONS ACT ("BIRDWOOD ENERGY") - ALL RIGHTS, TITLE AND INTERESTS RESERVED. STRICTLY NO USE, COPYING OR REPRODUCTION PERMITTED WITHOUT WRITTEN PERMISSION FROM BIRDWOOD ENERGY

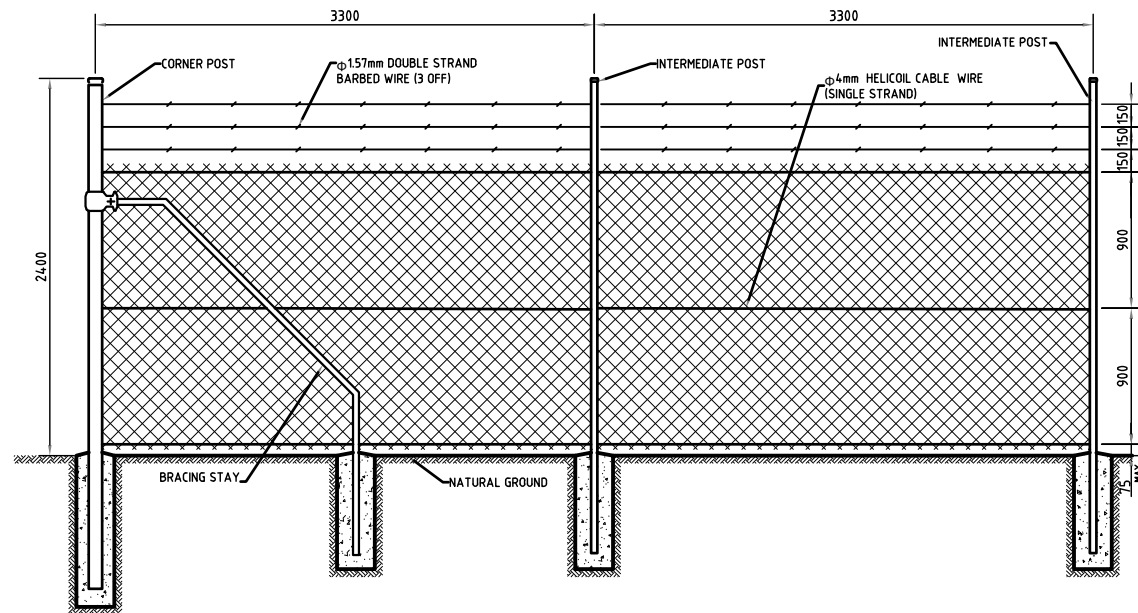
birdwood energy
Level 18, 1 Nicholson St
VIC 3001, Australia
East Melbourne
<https://www.birdwoodenergy.com/>

As Indicated	SHEET 1 OF 1	A3
BA2-Baddaginnie Solar Farm POC Elevations - Ausnet Pole & HV Kiosk		
BA2-SF-DWG-005	REV	A01

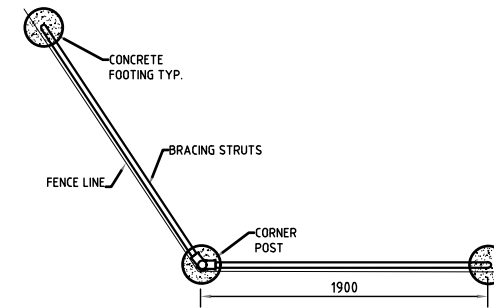
ADVERTISED PLAN



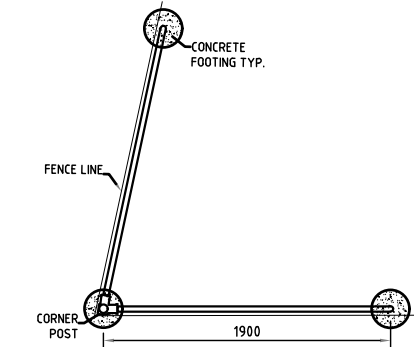
CHAIN LINK FABRIC FENCE AND OPENING DOUBLE GATE - 6000mm GATE
SCALE 1:50



TYPICAL CHAIN MESH FENCE PANEL - 3300mm DISTANCE
SCALE 1:50



CORNER POST FOOTING PLAN (>90)
SCALE 1:50



CORNER POST FOOTING PLAN (<90)
SCALE 1:50

NOTES

1. CHAIN LINK FABRIC TO BE CLASS 2 TYPE 1-R/L/B-T RAILED LESS 3 BARBED TOP SECURITY FENCING AS PER AS1725.1.
2. CHAIN LINK FABRIC TO BE ZINC/ALUM-ALLOY 2.50mm (LIGHT DUTY) WIRE WITH 50MM NOMINAL PITCH MESH (OR SIMILAR APPROVED)
3. SUPPORT CABLE TO BE 4mm SINGLE STRAND WITH ZINC/ALUM-ALLOY COATING (OR SIMILAR APPROVED)
4. LACING WIRE TO BE 2mm WITH ZINC/ALUM-ALLOY COATING (OR SIMILAR APPROVED)
5. CONCRETE FOOTING SHALL BE IN ACCORDANCE WITH AS3600, AND NOT LESS THAN THE MINIMUM SIZE SPECIFIED IN THIS DRAWING.
6. CONCRETE SHALL HAVE A CHARACTERISTIC COMPRESSIVE STRENGTH AT 28 DAYS OF 25MPA
7. GATES SHALL BE DESIGNED FOR BOTH INWARDS AND OUTWARDS OPENING
8. GATE DETAILS PROVIDED ON THIS DRAWING ARE TO BE USED AS ALTERNATIVE TO THE DRAWINGS PLC FENCING PROVIDE.
9. THIS DRAWING IS TO BE READ IN CONJUNCTION WITH AS1725.1 AND PLC FENCING DRAWING AND DESIGN
10. ALL DIMENSIONS MENTIONED IN THIS DRAWING ARE IN mm, , OR OTHERWISE SPECIFIED

POST				FOOTING SIZE	
TYPE	DN	O.D	WALL	DIA	DEPTH
CORNER	DN 50	60.3	3.6	250	750
INTERMEDIATE	DN 40	48.3	2.9	250	600
BRACING STAY	DN 32	42.4	2.6	250	600

DOUBLE ACCESS GATES					
WIDTH OF GATE OPENING	GATE POST			FOOTING	
	DN	O.D	WALL	DIA	DEPTH
6000	DN 80	88.9	4	300	1000

This copied document to be made available for the sole purpose of enabling its consideration and review as part of a planning process under the Planning and Environment Act 1987. The document must not be used for any purpose which may breach any copyright

Rev.	DATE	BY	CHK.	REVISION NOTES
A01	05/09/23	RC	AA	First Issue

PROPERTY OF BIRDWOOD ENERGY PTY LTD; ABN 18 658 194 177 AND/OR ITS RELATED BODIES CORPORATE AS DEFINED IN THE CORPORATIONS ACT ("BIRDWOOD ENERGY") - ALL RIGHTS, TITLE AND INTERESTS RESERVED. STRICTLY NO USE, COPYING OR REPRODUCTION PERMITTED WITHOUT WRITTEN PERMISSION FROM BIRDWOOD ENERGY

birdwood energy
Level 18, 1 Nicholson St
VIC 3001, Australia
East Melbourne
<https://www.birdwoodenergy.com/>

As Indicated	SHEET 1 OF 1	A3
Baddaginnie Solar Farm Fence & Gate Detail		
BA2-SF-DWG-006	REV	A01