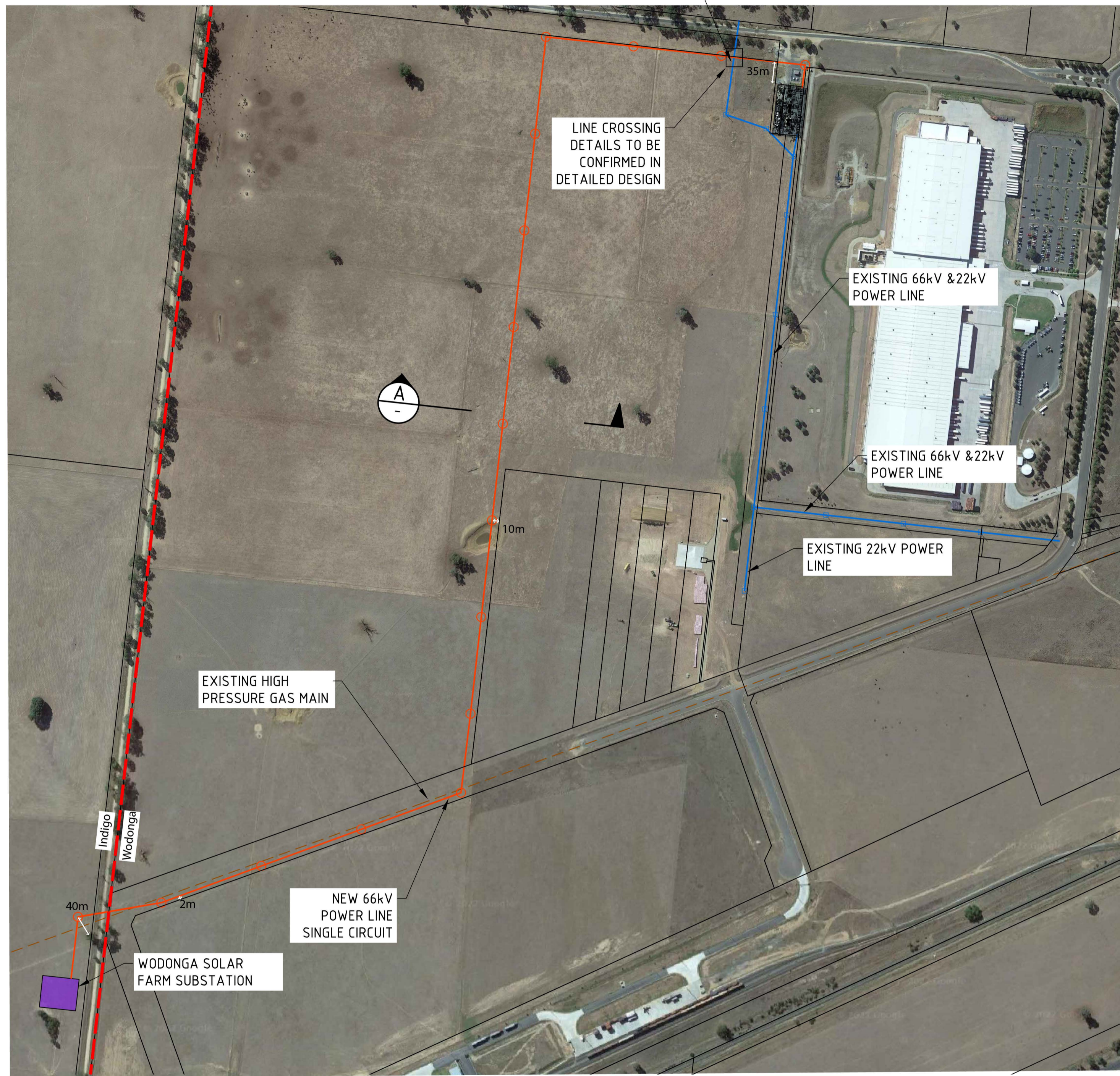


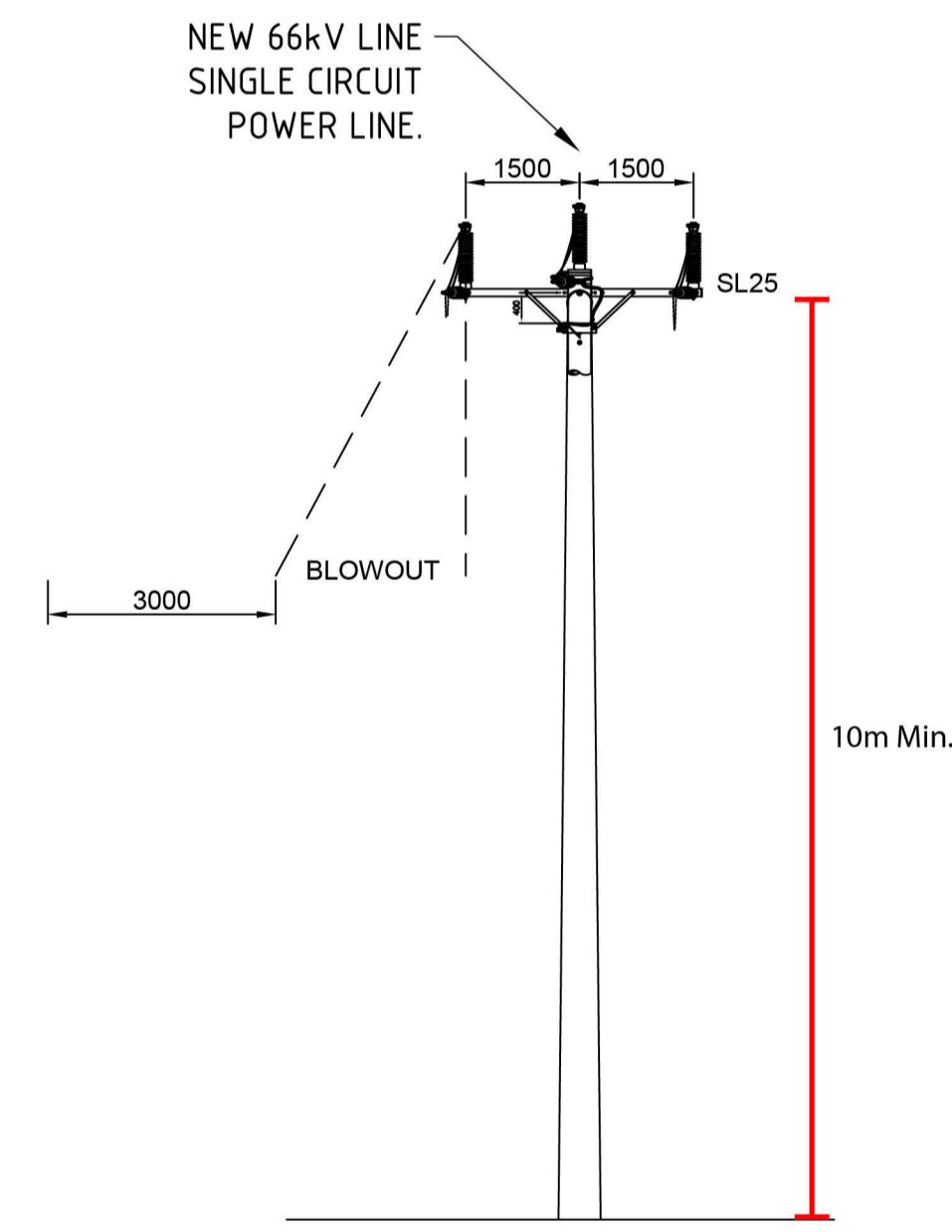
**WARNING!**  
**HIGH PRESSURE GAS MAIN**  
 An APA officer must be in attendance whilst excavating within 3m. of this service. A Permit to work and 10 days notice is required prior to any excavation. All gas main services crossing may not be show on plan. High Pressure Gas Mains and services to be located by approved APA located before start of construction.



**LOCATION PLAN**  
 SCALE 1:4000

This copied document to be made available for the sole purpose of enabling its consideration and review as part of a planning process under the Planning and Environment Act 1987. The document must not be used for any purpose which may breach any copyright.

ADVERTISED PLAN



**SECTION A**  
**66kV POWERLINE - IN ROAD RESERVE**  
 SCALE NTS

- LEGEND**
- NEW 66kV OVERHEAD POWER LINE.
  - NEW POWER LINE POLE
  - EXISTING AUSNET'S OVERHEAD POWER LINE
  - EXISTING AUSNET'S POWER LINE POLE
  - - - EXISTING HIGH PRESSURE GAS MAIN



INFORMATION ONLY

DRAWING TO BE SCALED FROM A1 SHEET  
 DRAWING TO BE PRINTED IN COLOUR  
**PLEASE NOTE**  
 The information contained herein remains the property of Downer Utilities and is to be used only in conjunction with the performance of work for Downer Utilities. Reproduction in whole or part without written permission is expressly forbidden.



REV No.	REVISION DESCRIPTION	DRAWN BY	CHECKED BY	APPR'D BY	DATE



CLIENT: WODONGA SOLAR POWER	PROJECT NUMBER: 12345X	PROJECT NAME: WODONGA SOLAR FARM	SHEET SIZE: <b>A1</b>
DRAWN BY: 	DATE: 	DESIGNED BY: 	DATE: 
DRG. CHECKED BY: 	DATE: 	DES. CHECKED BY: 	DATE: 
CAD FILE No: WSP-ELE-LAY-001-66kV line.dwg	APPROVED: 	DATE: 	SCALE: 1:4000
TITLE: WODONGA SOLAR FARM 66kV CONNECTION INTO BARNAWARTHA SUBSTATION OVERALL SITE PLAN LOCATION PLAN		DRAWING No: <b>WSF-ELE-LAY-001</b>	REVISION: <b>B</b>