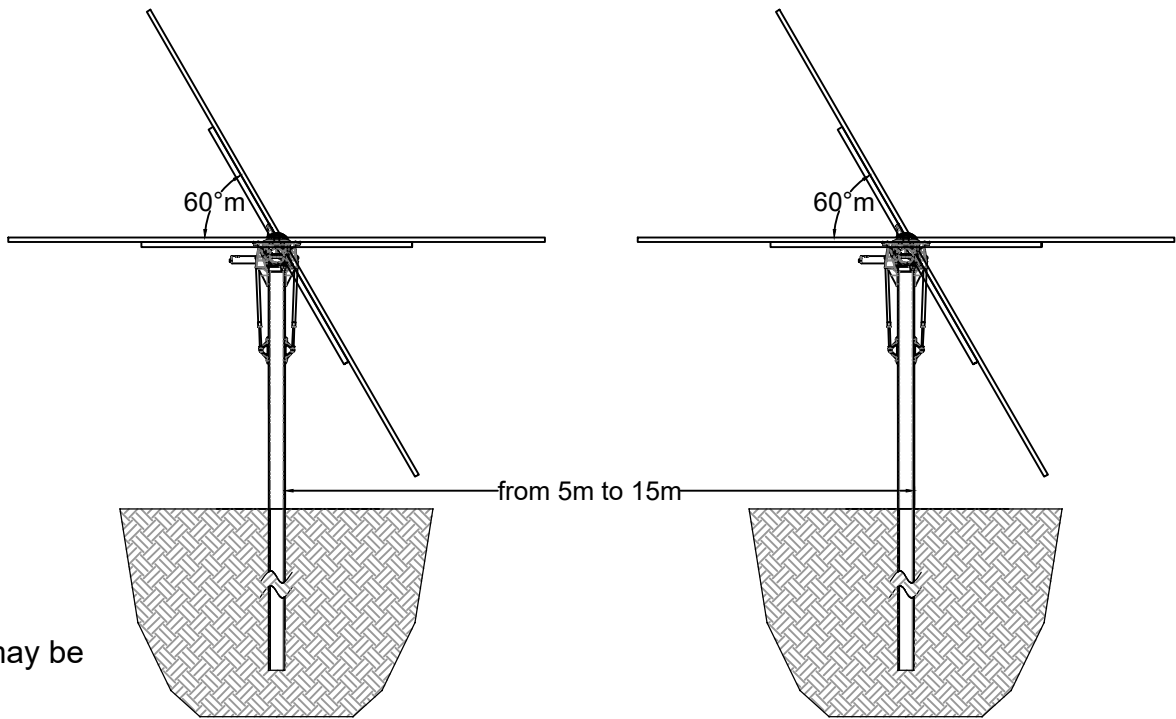
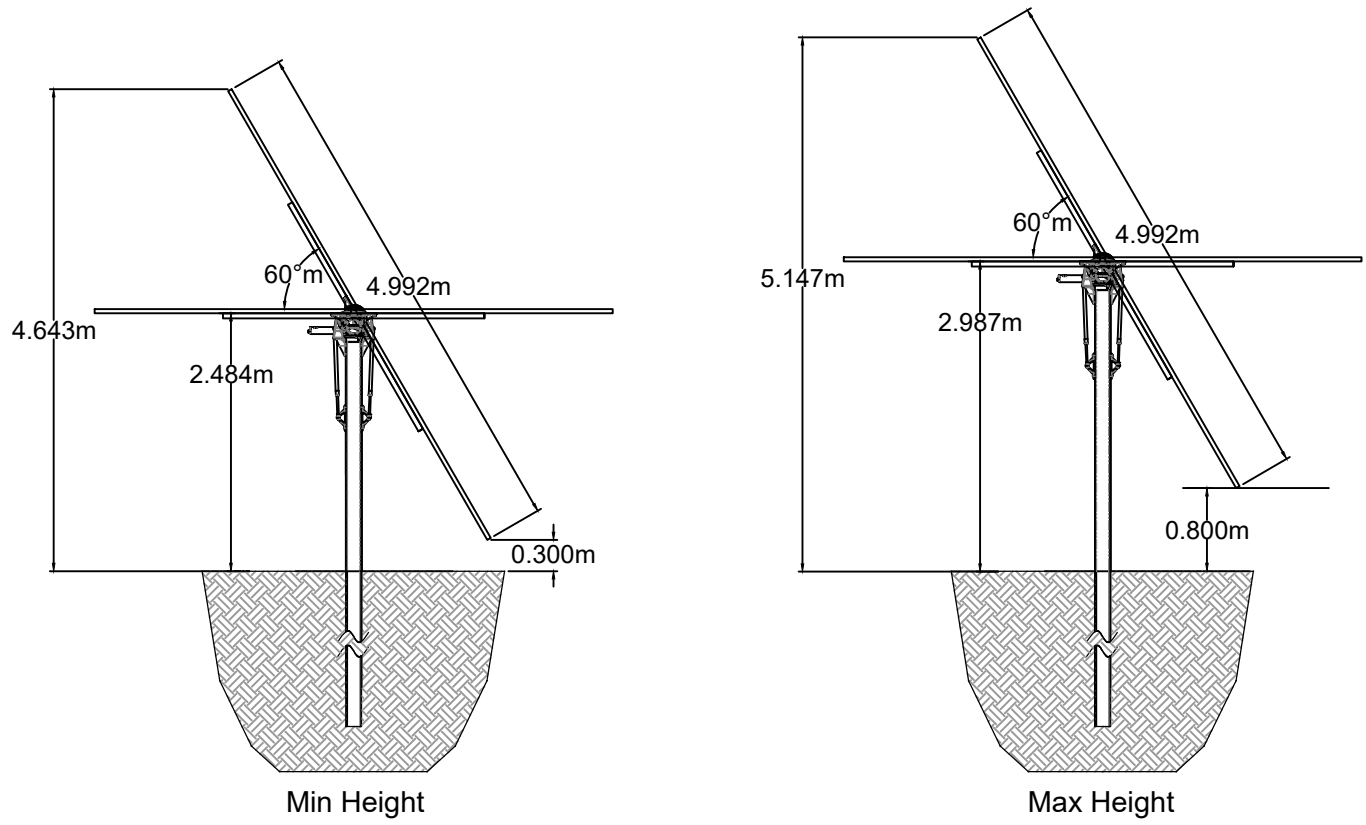
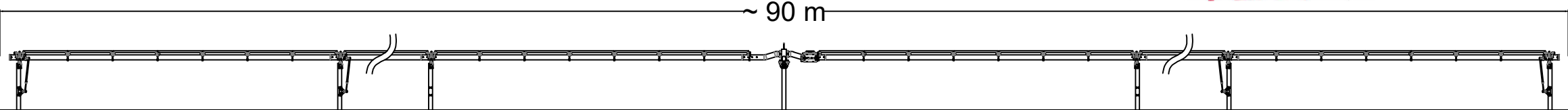


ADVERTISED PLAN



Note:
1. The layout drawing is for reference. There may be partial adjustments in the detailed design.

GENERAL NOTES

PROJECT NAME:

DRAWING TITLE:
Tracker Elevation

DRAWN BY:
A. Lopes

CHECKED BY:

APPROVED BY:

DATE:
19/07/2022

Company:
BNRG Renewables Ltd.
Solar Projects Developer.
Unit 1b, Custom House Plaza 3,
Harbourmaster Place, Dublin 1
IRELAND.
CONTACT NO:
E-MAIL :



PROJECT NO:

SCALE:
SHEET SIZE:
A3

DRAWING NO:

SHEET NO:
01

REVISION:
1.0

UNIT: