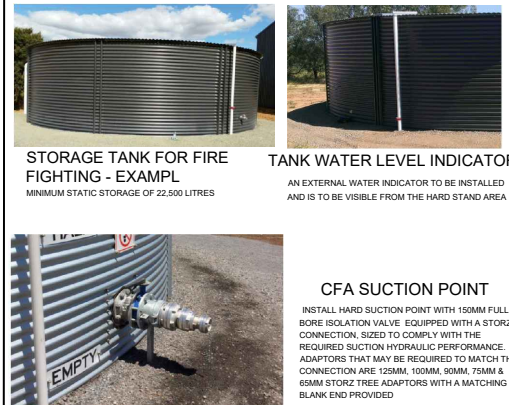
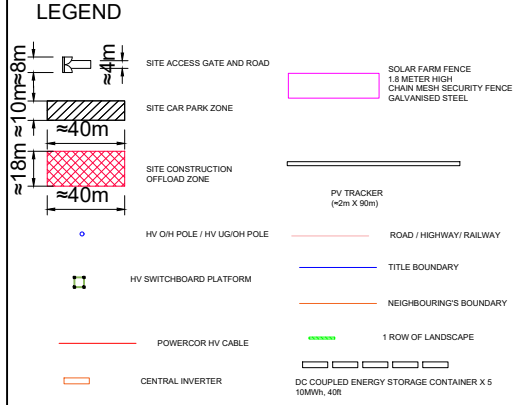
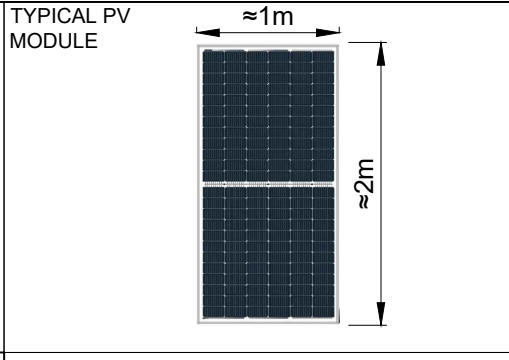
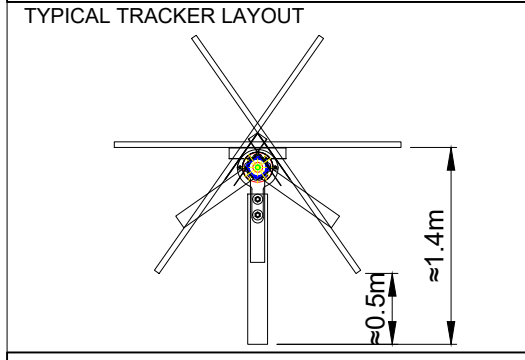
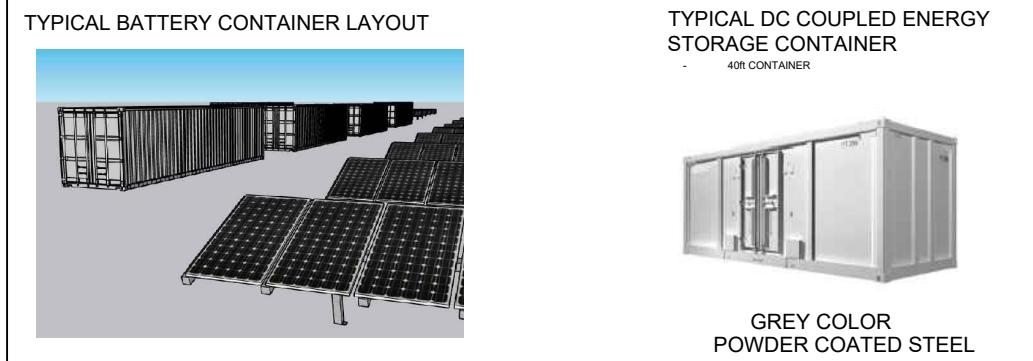
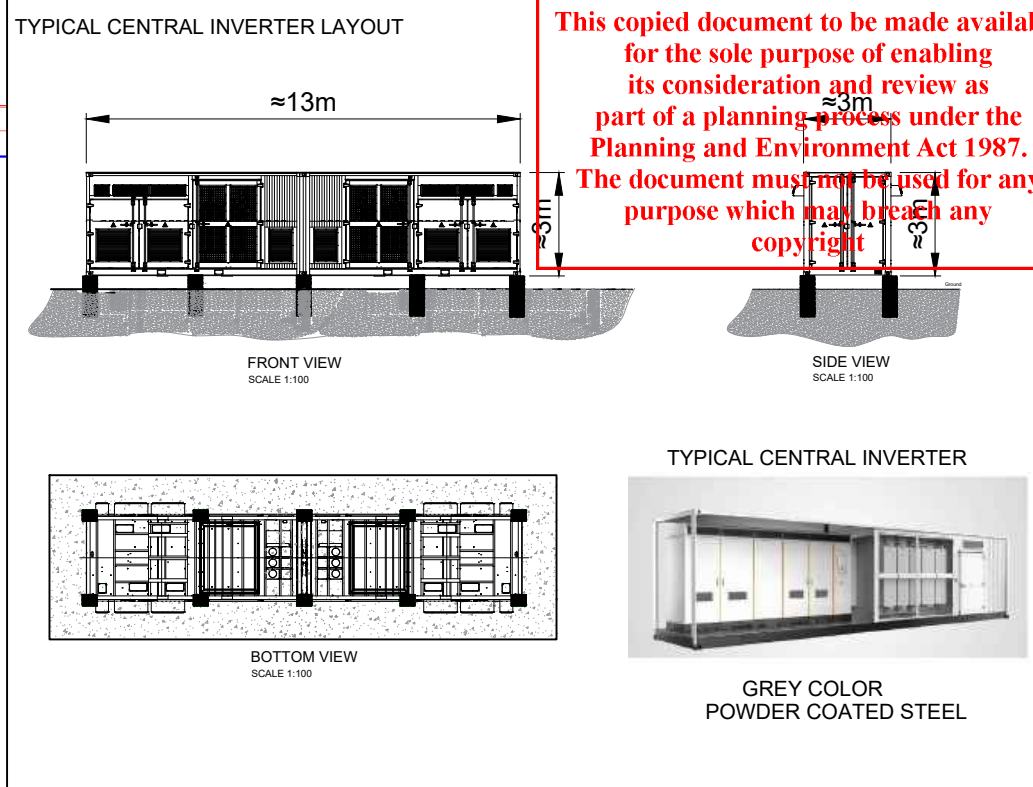
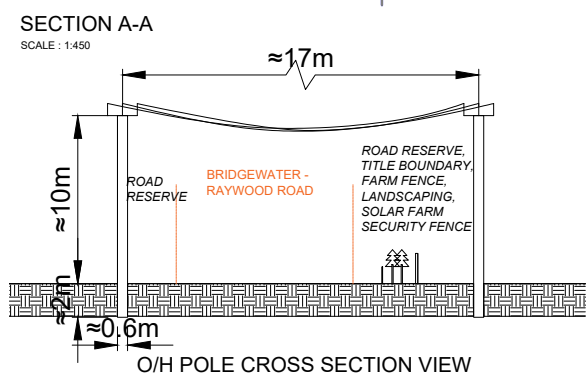
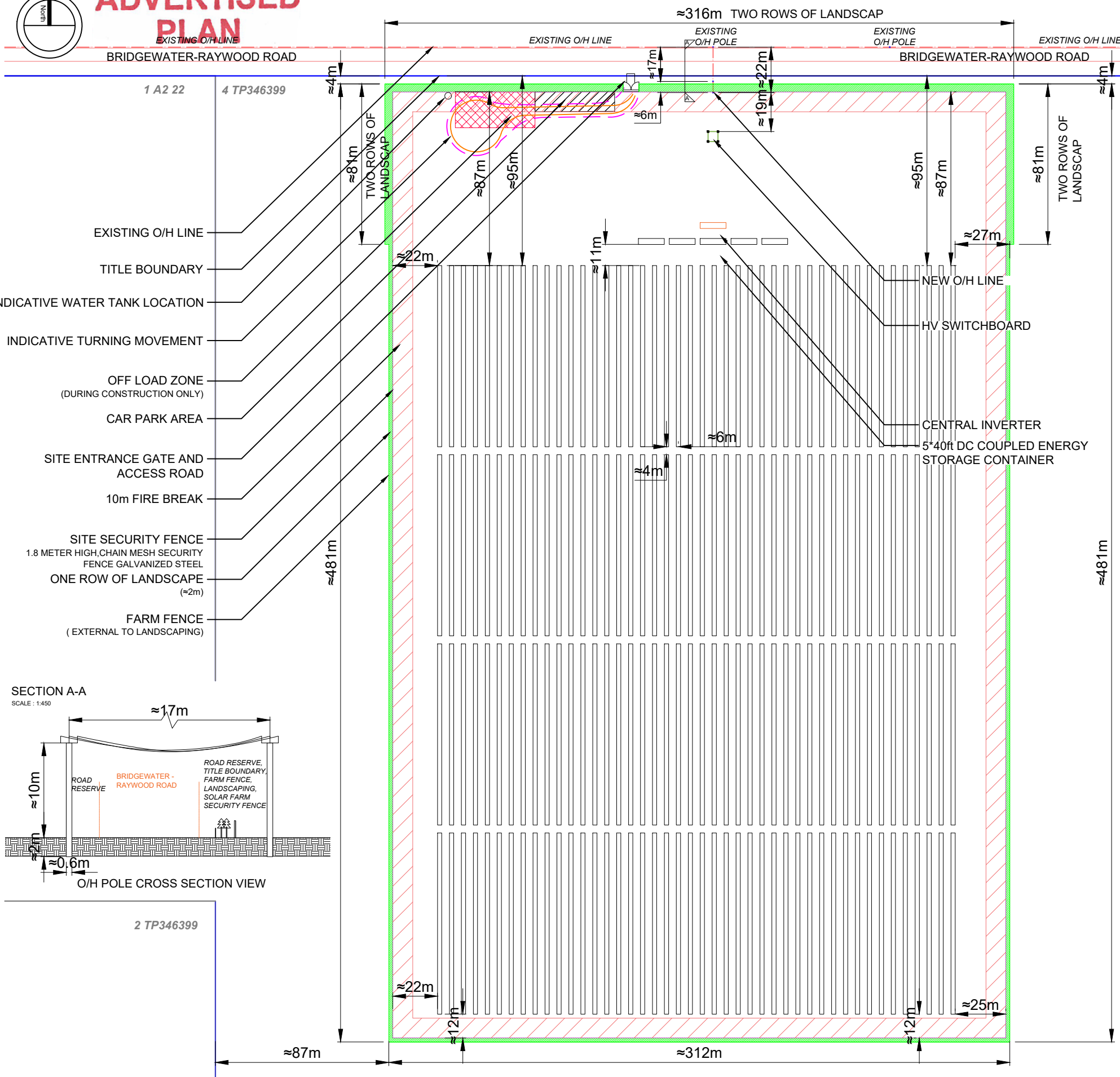


ADVERTISED PLAN

This copied document to be made available for the sole purpose of enabling its consideration and review as part of a planning process under the Planning and Environment Act 1987. The document must not be used for any purpose which may breach any copyright.



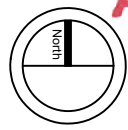
REV	STATUS	DESCRIPTION	DATE	D.B.	C.B.
A	FA	SITE PLAN	29/04/20	XT	RZ
B	FA	MINOR UPDATED	07/08/20	XT	RZ
C	FA	PEG SYSTEM CHANGED TO TRACKING SYSTEM	18/02/21	XT	RZ

PROJECT DETAILS:	RAYWOOD SOLAR FARM Mcquillans Rd, Raywood VIC 3570 -36.547881, 144.187912
CLIENT DETAILS:	ACENERGY PTY LTD
DRAWING TITLE:	SITE PLAN

COPYRIGHT OF THIS DRAWING RESERVED BY ACENERGY PTY LTD. NO PART OF THIS DOCUMENT MAY BE REPRODUCED OR COPIED IN ANY FORM OR BY ANY MEANS WITHOUT CONSENT OF ACENERGY.

DRAWING NR:	G-1.0_000841		
DRAWN BY:	XT	APPROVED BY:	RZ
PROJECT MGR:	LZ	ISSUE DATE:	18/02/2021
SCALE:	AS INDICATED	PROJECT NO:	841
SHEET SIZE:	A3	REV. NO:	C





ADVERTISED PLAN

This copied document to be made available for the sole purpose of enabling its consideration and review as part of a planning process under the Planning and Environment Act 1987. The document must not be used for any purpose which may breach any copyright



REVISIONS					
REV	STATUS	DESCRIPTION	DATE	D.B.	C.B.
A	FA	SITE PLAN	29/04/20	XT	RZ
B	FA	MINOR UPDATED	07/08/20	XT	RZ
C	FA	PEG SYSTEM CHANGED TO TRACKING SYSTEM	18/02/21	XT	RZ

PROJECT DETAILS: **RAYWOOD SOLAR FARM**
 Mcquatters Rd, Raywood VIC 3570
 -36.547881, 144.187912

CLIENT DETAILS:
ACENERGY PTY LTD

DRAWING TITLE:
LOCATION DIAGRAM

COPYRIGHT OF THIS DRAWING RESERVED BY ACENERGY PTY LTD. NO PART OF THIS DOCUMENT MAY BE REPRODUCED OR COPIED IN ANY FORM OR BY ANY MEANS WITHOUT CONSENT OF ACENERGY.

DRAWING NR: G-2.0_000841		
DRAWN BY : XT	APPROVED BY : RZ	PROJECT MGR : LZ
SCALE : AS INDICATED	ISSUE : FOR APPROVAL	ISSUE DATE : 18/02/2021
SHEET SIZE: A3	PROJECT NO: 841	REV. NO: A

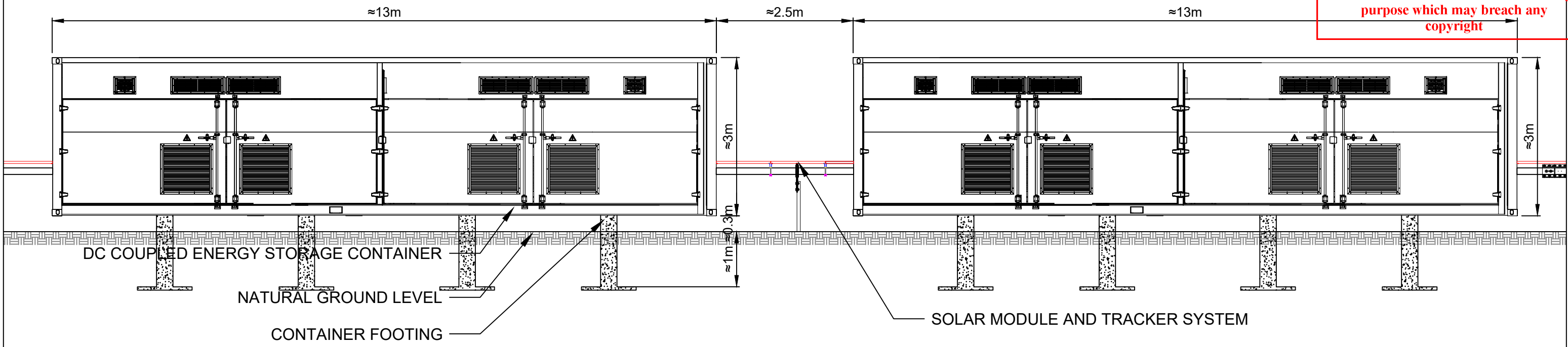
DRAWING NR: G-2.0_000841		
DRAWN BY : XT	APPROVED BY : RZ	PROJECT MGR : LZ
SCALE : AS INDICATED	ISSUE : FOR APPROVAL	ISSUE DATE : 18/02/2021
SHEET SIZE: A3	PROJECT NO: 841	REV. NO: A



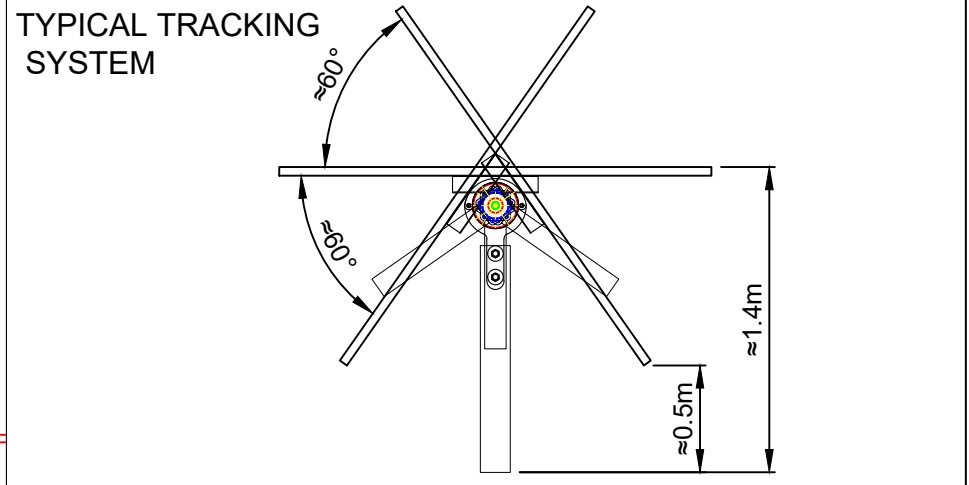
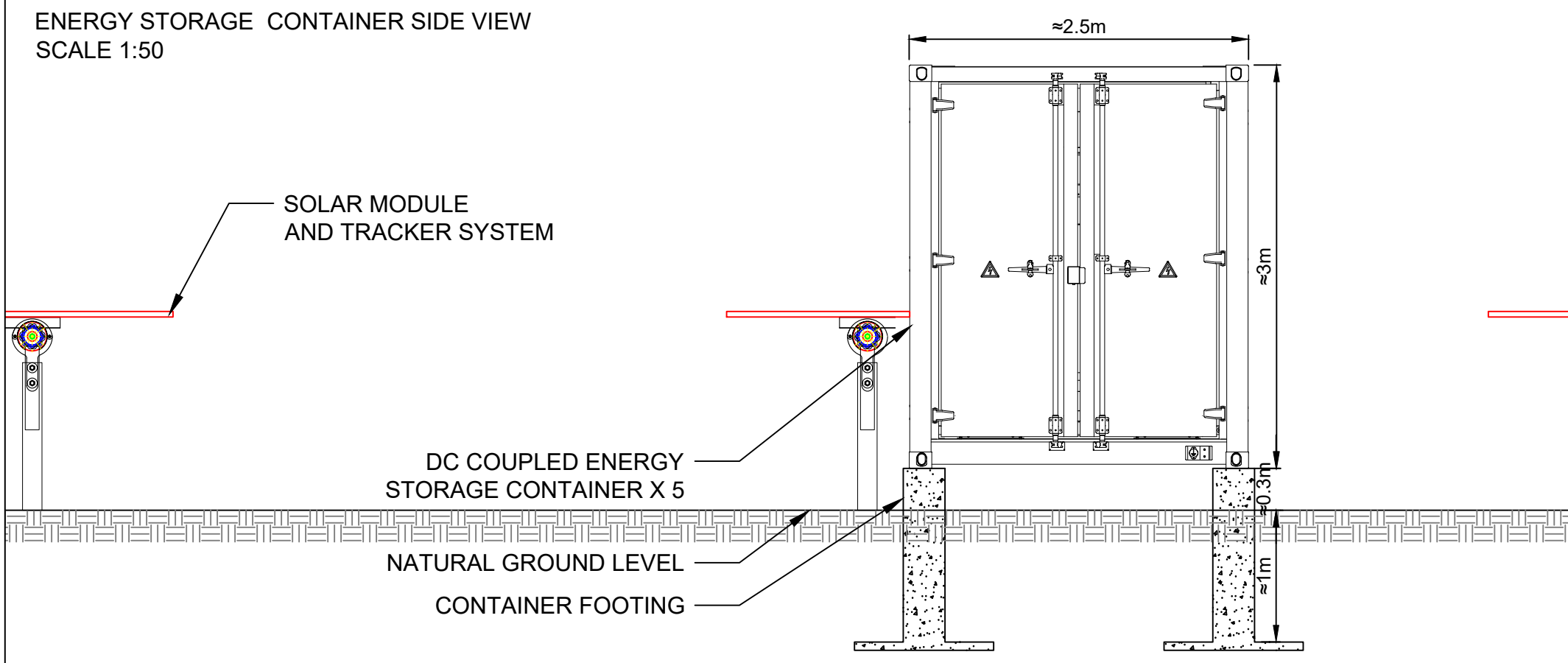
ADVERTISED PLAN

ENERGY STORAGE CONTAINER FRONT VIEW SCALE 1:70

This copied document to be made available for the sole purpose of enabling its consideration and review as part of a planning process under the Planning and Environment Act 1987. The document must not be used for any purpose which may breach any copyright



ENERGY STORAGE CONTAINER SIDE VIEW SCALE 1:50



REVISIONS					
REV	STATUS	DESCRIPTION	DATE	D.B.	C.B.
A	FA	FOR INITIAL ISSUE	18/02/2021	XT	RZ

PROJECT DETAILS:	RAYWOOD SOLAR FARM Mcquatters Rd, Raywood VIC 3570 ~36.547881, 144.187912
CLIENT DETAILS:	ACENERGY PTY LTD
DRAWING TITLE:	DC COUPLED ENERGY STORAGE CONTAINER ELEVATIONS

COPYRIGHT OF THIS DRAWING RESERVED BY ACENERGY PTY LTD. NO PART OF THIS DOCUMENT MAY BE REPRODUCED OR COPIED IN ANY FORM OR BY ANY MEANS WITHOUT CONSENT OF ACENERGY.

DRAWN BY :	XT	APPROVED BY :	RZ	PROJECT MGR :	LZ
SCALE :	AS INDICATED	ISSUE :	FOR APPROVAL	ISSUE DATE :	18/02/2021
SHEET SIZE:	A3	PROJECT NO:	841	REV. NO:	A

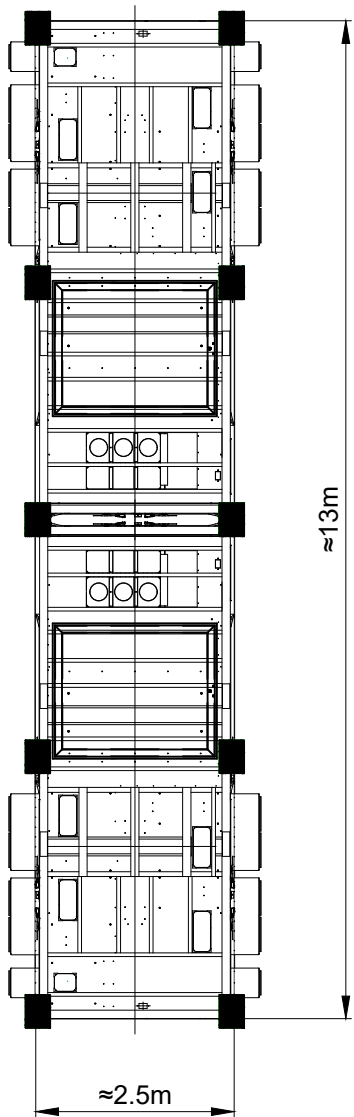
DRAWING NR:	G-3.0_000841
-------------	--------------



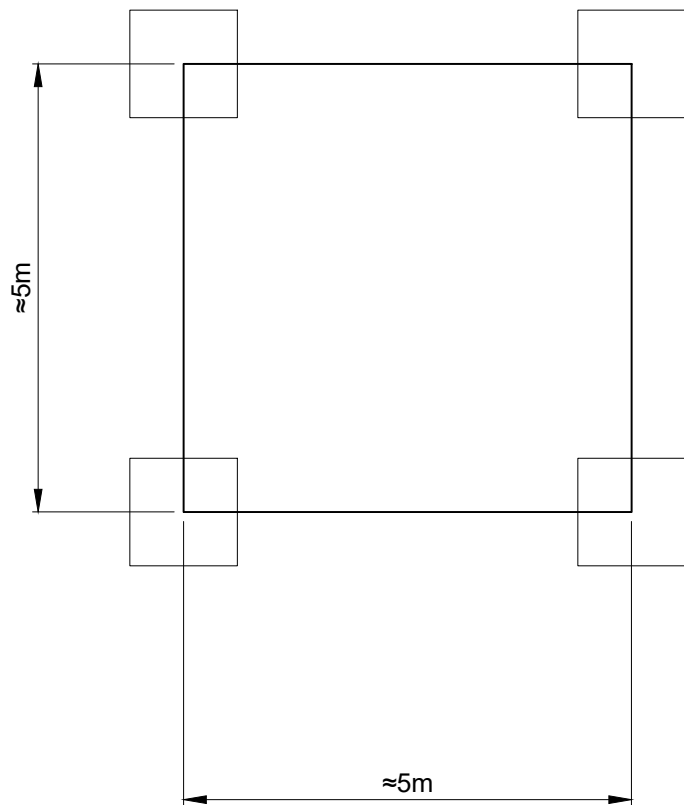
ADVERTISED PLAN

CENTRAL INVERTER, HV SWITCHBOARD AND UG/OH POLE TOP VIEW (RELATIVE LOCATION REFER TO "G-1.0_000841_SITE PLAN")

CENTRAL INVERTER



HV SWITCHBOARD PLATFORM

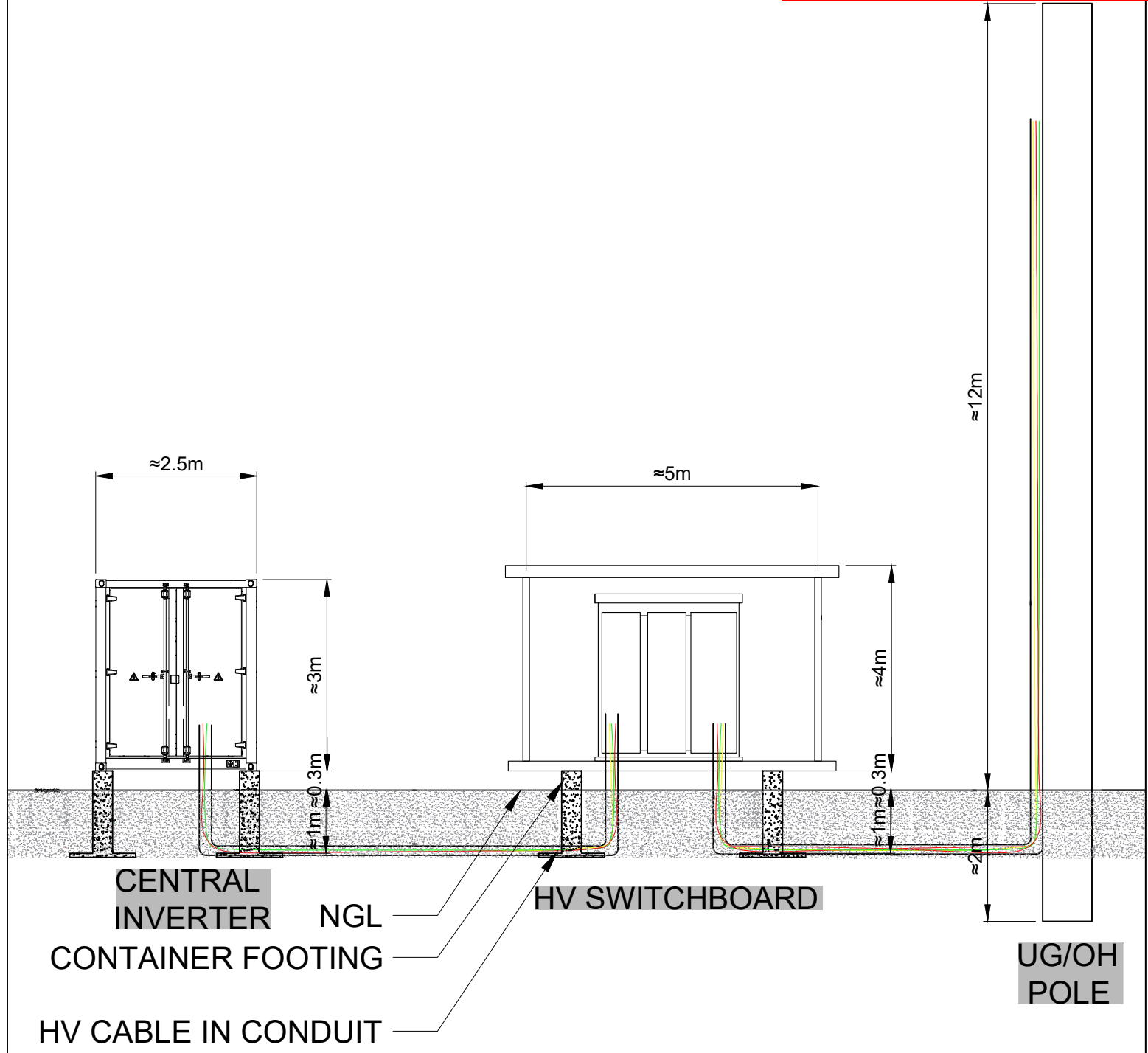


UG/OH POLE



CENTRAL INVERTER, HV SWITCHBOARD AND UG/OH POLE SIDE VIEW (RELATIVE LOCATION REFER TO "G-1.0_000841_SITE PLAN")

This copied document to be made available for the sole purpose of enabling its consideration and review as part of a planning process under the Planning and Environment Act 1987. The document must not be used for any purpose which may breach any copyright



CENTRAL INVERTER
CONTAINER FOOTING
HV CABLE IN CONDUIT

HV SWITCHBOARD

UG/OH POLE

REVISIONS					
REV	STATUS	DESCRIPTION	DATE	D.B.	C.B.
A	FA	CENTRAL INVERTER, HV SWITCHBOARD, POWERCOR POLE DETAIL LAYOUT	18/02/21	XT	RZ

PROJECT DETAILS:	RAYWOOD SOLAR FARM Mcquillans Rd, Raywood VIC 3570 -36.547881, 144.187912
CLIENT DETAILS:	ACENERGY PTY LTD
DRAWING TITLE:	CENTRAL INVERTER, HV SWITCHBOARD, O/H POLE ELEVATION

COPYRIGHT OF THIS DRAWING RESERVED BY ACENERGY PTY LTD. NO PART OF THIS DOCUMENT MAY BE REPRODUCED OR COPIED IN ANY FORM OR BY ANY MEANS WITHOUT CONSENT OF ACENERGY.

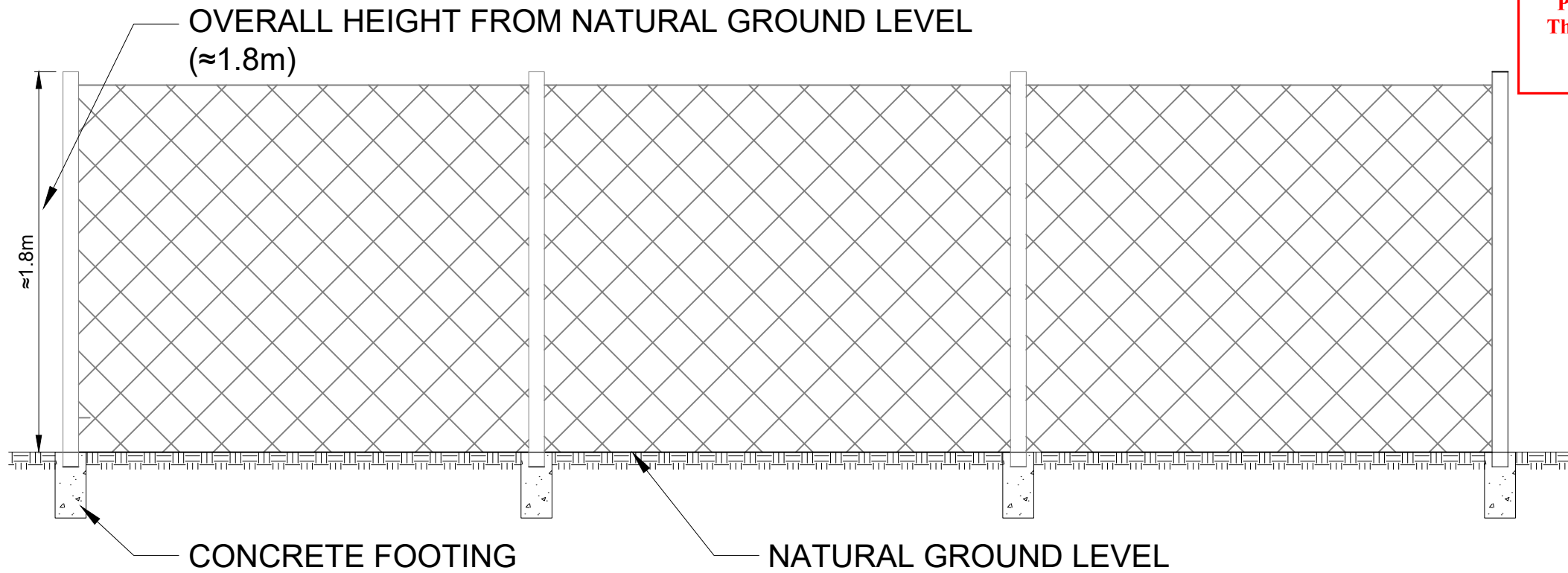
DRAWN BY :	XT	APPROVED BY :	RZ	PROJECT MGR :	LZ
SCALE :	AS INDICATED	ISSUE :	FOR APPROVAL	ISSUE DATE :	08/02/2021
SHEET SIZE:	A3	PROJECT NO:	841	REV. NO:	A

DRAWING NR: G-4.0_000841					
DRAWN BY :	XT	APPROVED BY :	RZ	PROJECT MGR :	LZ
SCALE :	AS INDICATED	ISSUE :	FOR APPROVAL	ISSUE DATE :	08/02/2021
SHEET SIZE:	A3	PROJECT NO:	841	REV. NO:	A



ADVERTISED PLAN

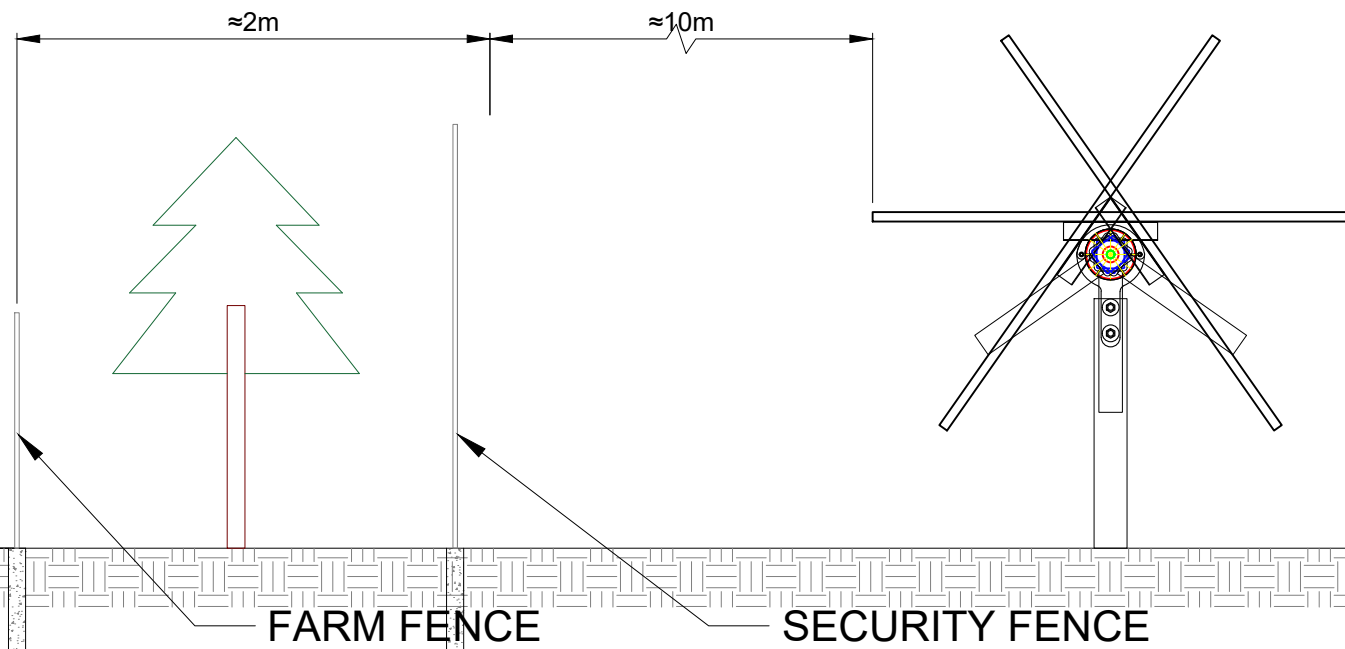
SECURITY FENCE FRONT VIEW SCALE 1:2.5



This copied document to be made available for the sole purpose of enabling its consideration and review as part of a planning process under the Planning and Environment Act 1987. The document must not be used for any purpose which may breach any copyright

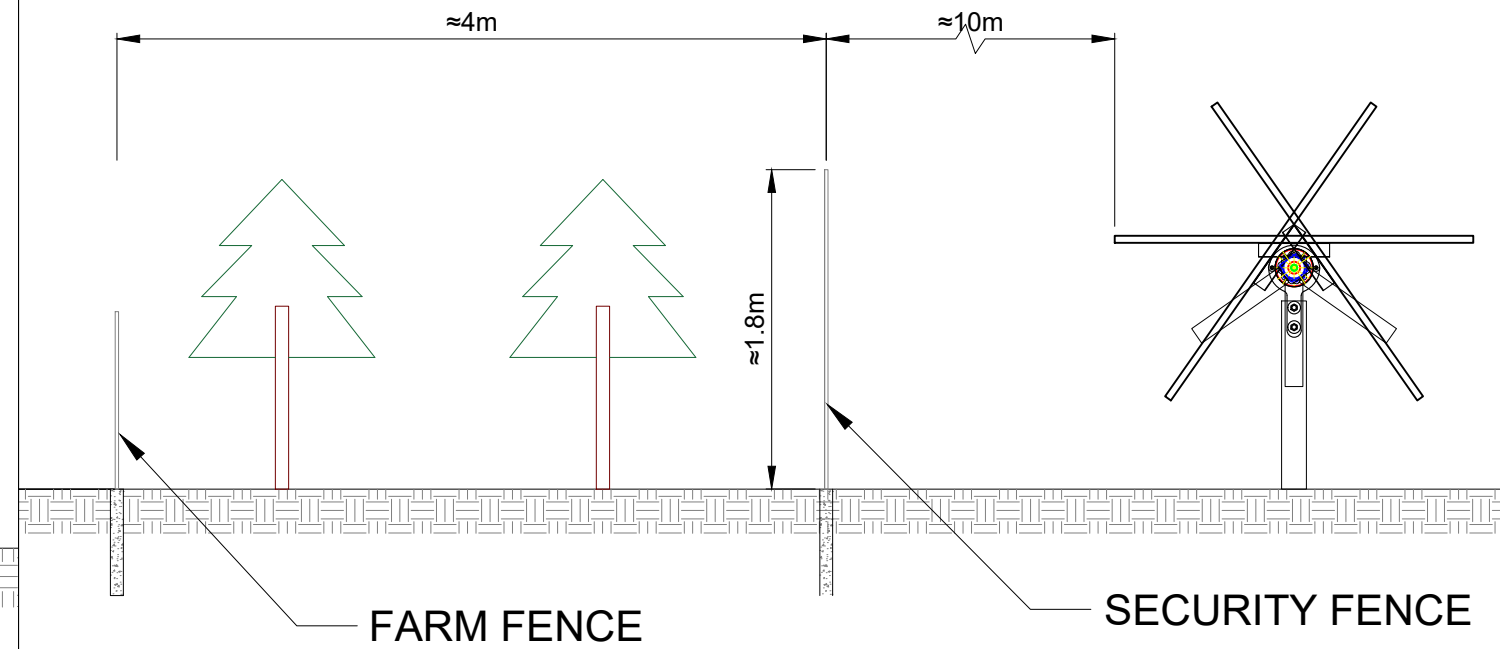
SECURITY FENCE, LANDSCAPE AND TRACKING SYSTEM SECTION VIEW (ONE ROW OF LANDSCAPE)

ONE ROW OF LANDSCAPE



SECURITY FENCE, LANDSCAPE AND TRACKING SYSTEM SECTION VIEW (TWO ROWS OF LANDSCAPE)

TWO ROWS OF LANDSCAPE



REVISIONS					
REV	STATUS	DESCRIPTION	DATE	D.B.	C.B.
A	FA	INITIAL ISSUE	18/02/21	XT	RZ

PROJECT DETAILS:	RAYWOOD SOLAR FARM Mcquatters Rd, Raywood VIC 3570 -36.547881, 144.187912
CLIENT DETAILS:	ACENERGY PTY LTD
DRAWING TITLE:	SECURITY FENCE DETAILS

COPYRIGHT OF THIS DRAWING RESERVED BY ACENERGY PTY LTD. NO PART OF THIS DOCUMENT MAY BE REPRODUCED OR COPIED IN ANY FORM OR BY ANY MEANS WITHOUT CONSENT OF ACENERGY.

DRAWN BY :	XT	APPROVED BY :	RZ	PROJECT MGR :	LZ
SCALE :	AS INDICATED	ISSUE :	FOR APPROVAL	ISSUE DATE :	18/02/2021
SHEET SIZE:	A3	PROJECT NO:	841	REV. NO:	A

DRAWING NR:	G-5.0_000841
-------------	--------------

