

**LEGEND**

|  |                                |  |                                                                            |
|--|--------------------------------|--|----------------------------------------------------------------------------|
|  | SITE ACCESS GATE AND ROAD      |  | SOLAR FARM FENCE 1.8 METER HIGH CHAIN MESH SECURITY FENCE GALVANIZED STEEL |
|  | SITE CAR PARK ZONE             |  | PV TRACKER (≈2m X 90m)                                                     |
|  | SITE CONSTRUCTION OFFLOAD ZONE |  | ROAD / HIGHWAY / RAILWAY                                                   |
|  | HV OH POLE / HV LIGHT POLE     |  | TITLE BOUNDARY                                                             |
|  | HV SWITCHBOARD PLATFORM        |  | NEIGHBOURING'S BOUNDARY                                                    |
|  | POWERCORD HV CABLE             |  | 1 ROW OF LANDSCAPE                                                         |
|  | CENTRAL INVERTER               |  | DC COUPLED ENERGY STORAGE CONTAINER X 5 (5000L, 40ft)                      |



| REVISIONS |        |                                       |          |      |      |
|-----------|--------|---------------------------------------|----------|------|------|
| REV       | STATUS | DESCRIPTION                           | DATE     | D.B. | C.B. |
| A         | FA     | SITE PLAN                             | 29/04/20 | XT   | RZ   |
| B         | FA     | MINOR UPDATED                         | 07/08/20 | XT   | RZ   |
| C         | FA     | PEG SYSTEM CHANGED TO TRACKING SYSTEM | 18/02/21 | XT   | RZ   |

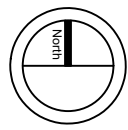
PROJECT DETAILS: **RAYWOOD SOLAR FARM**  
Mcquillans Rd, Raywood VIC 3570  
-36.547881, 144.187912

CLIENT DETAILS: **ACENERGY PTY LTD**

DRAWING TITLE: **SITE PLAN**

COPYRIGHT OF THIS DRAWING RESERVED BY ACENERGY PTY LTD. NO PART OF THIS DOCUMENT MAY BE REPRODUCED OR COPIED IN ANY FORM OR BY ANY MEANS WITHOUT CONSENT OF ACENERGY.

|                                 |                            |                               |
|---------------------------------|----------------------------|-------------------------------|
| DRAWING NR: <b>G-1.0_000841</b> |                            |                               |
| DRAWN BY: <b>XT</b>             | APPROVED BY: <b>RZ</b>     | PROJECT MGR: <b>LZ</b>        |
| SCALE: <b>AS INDICATED</b>      | ISSUE: <b>FOR APPROVAL</b> | ISSUE DATE: <b>18/02/2021</b> |
| SHEET SIZE: <b>A3</b>           | PROJECT NO: <b>841</b>     | REV. NO: <b>C</b>             |



| REVISIONS |        |                                       |          |      |      |  |
|-----------|--------|---------------------------------------|----------|------|------|--|
| REV       | STATUS | DESCRIPTION                           | DATE     | D.B. | C.B. |  |
| A         | FA     | SITE PLAN                             | 29/04/20 | XT   | RZ   |  |
| B         | FA     | MINOR UPDATED                         | 07/08/20 | XT   | RZ   |  |
| C         | FA     | PEG SYSTEM CHANGED TO TRACKING SYSTEM | 18/02/21 | XT   | RZ   |  |
|           |        |                                       |          |      |      |  |
|           |        |                                       |          |      |      |  |

|                  |                                                                                        |
|------------------|----------------------------------------------------------------------------------------|
| PROJECT DETAILS: | <b>RAYWOOD SOLAR FARM</b><br>Mcquatters Rd, Raywood VIC 3570<br>-36.547881, 144.187912 |
| CLIENT DETAILS:  | <b>ACENERGY PTY LTD</b>                                                                |
| DRAWING TITLE:   | <b>LOCATION DIAGRAM</b>                                                                |

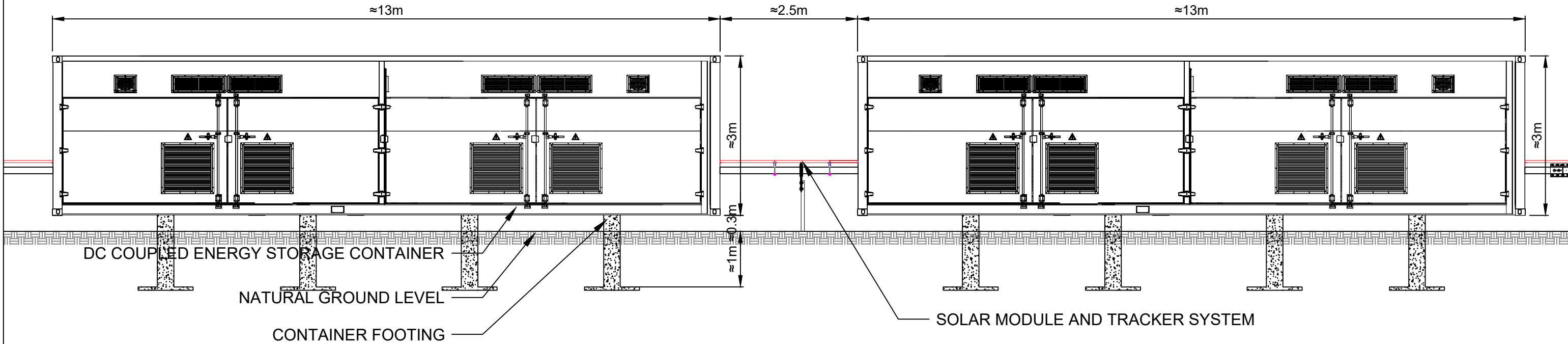
COPYRIGHT OF THIS DRAWING RESERVED BY ACENERGY PTY LTD. NO PART OF THIS DOCUMENT MAY BE REPRODUCED OR COPIED IN ANY FORM OR BY ANY MEANS WITHOUT CONSENT OF ACENERGY.

|              |               |               |
|--------------|---------------|---------------|
| DRAWING NR:  | G-2.0_000841  |               |
| DRAWN BY :   | APPROVED BY : | PROJECT MGR : |
| XT           | RZ            | LZ            |
| SCALE :      | ISSUE :       | ISSUE DATE :  |
| AS INDICATED | FOR APPROVAL  | 18/02/2021    |
| SHEET SIZE:  | PROJECT NO:   | REV. NO:      |
| A3           | 841           | A             |

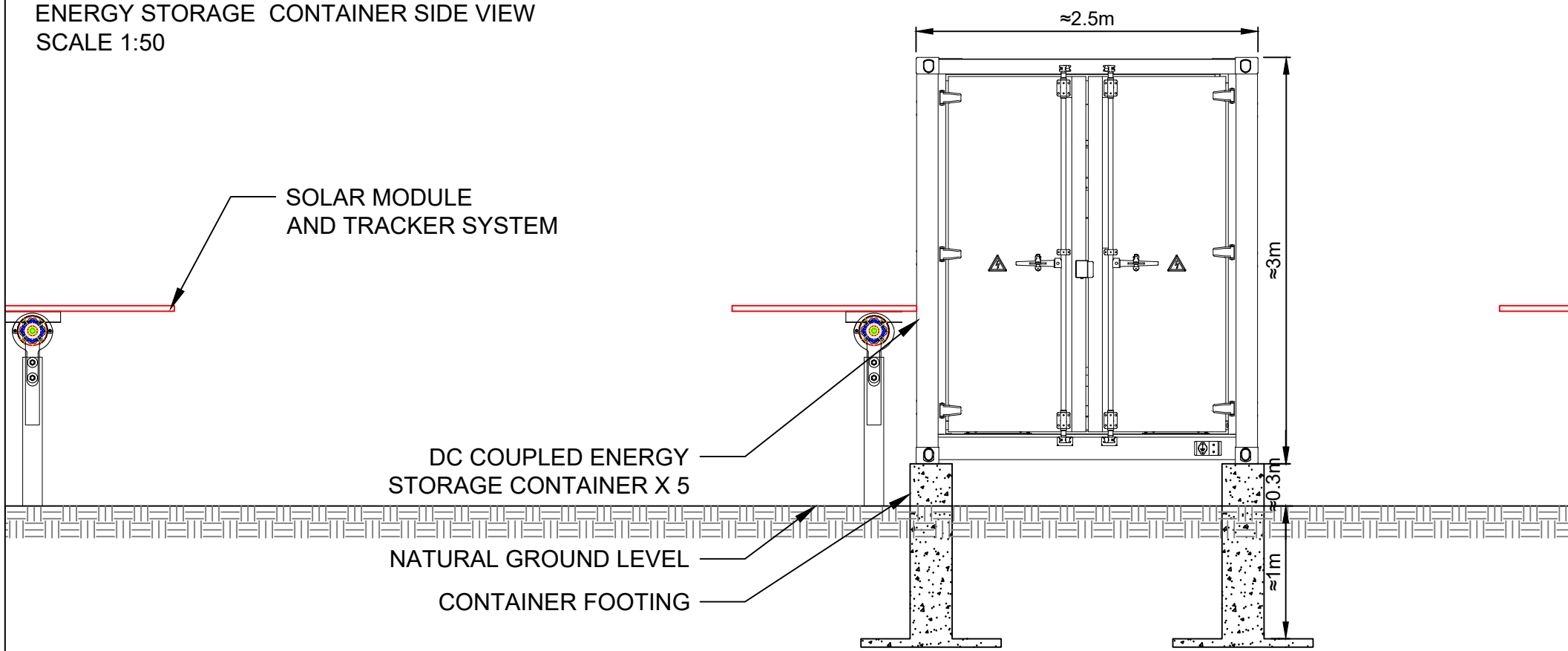
|                          |               |               |
|--------------------------|---------------|---------------|
| DRAWING NR: G-2.0_000841 |               |               |
| DRAWN BY :               | APPROVED BY : | PROJECT MGR : |
| XT                       | RZ            | LZ            |
| SCALE :                  | ISSUE :       | ISSUE DATE :  |
| AS INDICATED             | FOR APPROVAL  | 18/02/2021    |
| SHEET SIZE:              | PROJECT NO:   | REV. NO:      |
| A3                       | 841           | A             |



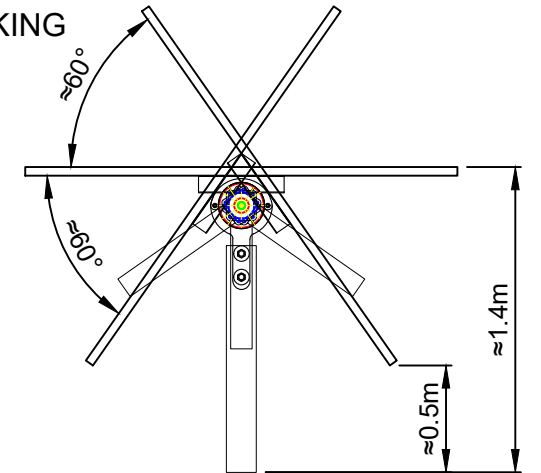
ENERGY STORAGE CONTAINER FRONT VIEW  
SCALE 1:70



ENERGY STORAGE CONTAINER SIDE VIEW  
SCALE 1:50



TYPICAL TRACKING SYSTEM



TYPICAL DC COUPLED ENERGY STORAGE CONTAINER



| REVISIONS |        |                   |            |      |      |
|-----------|--------|-------------------|------------|------|------|
| REV       | STATUS | DESCRIPTION       | DATE       | D.B. | C.B. |
| A         | FA     | FOR INITIAL ISSUE | 18/02/2021 | XT   | RZ   |
|           |        |                   |            |      |      |
|           |        |                   |            |      |      |
|           |        |                   |            |      |      |
|           |        |                   |            |      |      |

PROJECT DETAILS:  
**RAYWOOD SOLAR FARM**  
Mcquatters Rd, Raywood VIC 3570  
~36.547881, 144.187912

CLIENT DETAILS:  
**ACENERGY PTY LTD**

DRAWING TITLE:  
**DC COUPLED ENERGY STORAGE CONTAINER ELEVATIONS**

COPYRIGHT OF THIS DRAWING RESERVED BY ACENERGY PTY LTD. NO PART OF THIS DOCUMENT MAY BE REPRODUCED OR COPIED IN ANY FORM OR BY ANY MEANS WITHOUT CONSENT OF ACENERGY.

DRAWING NR:  
**G-3.0\_000841**

DRAWN BY :  
**XT**

APPROVED BY :  
**RZ**

PROJECT MGR :  
**LZ**

SCALE :  
**AS INDICATED**

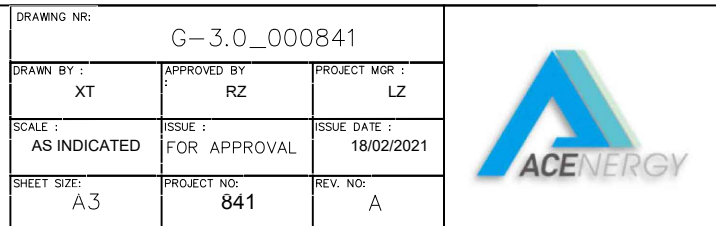
ISSUE :  
**FOR APPROVAL**

ISSUE DATE :  
**18/02/2021**

SHEET SIZE:  
**A3**

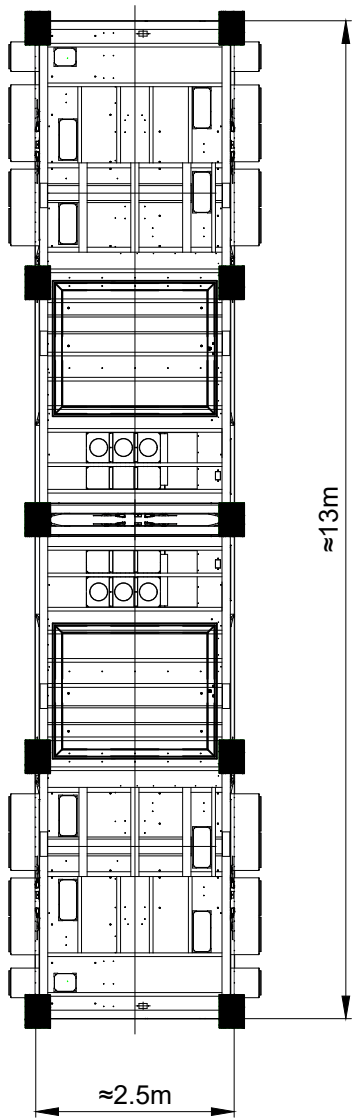
PROJECT NO:  
**841**

REV. NO:  
**A**

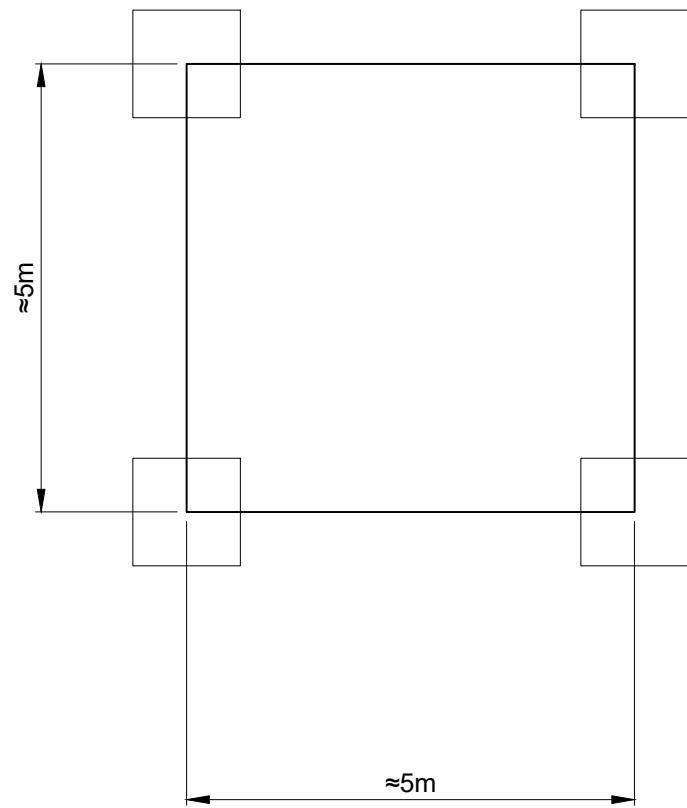


**CENTRAL INVERTER, HV SWITCHBOARD AND UG/OH POLE TOP VIEW  
(RELATIVE LOCATION REFER TO "G-1.0\_000841\_SITE PLAN")**

**CENTRAL  
INVERTER**



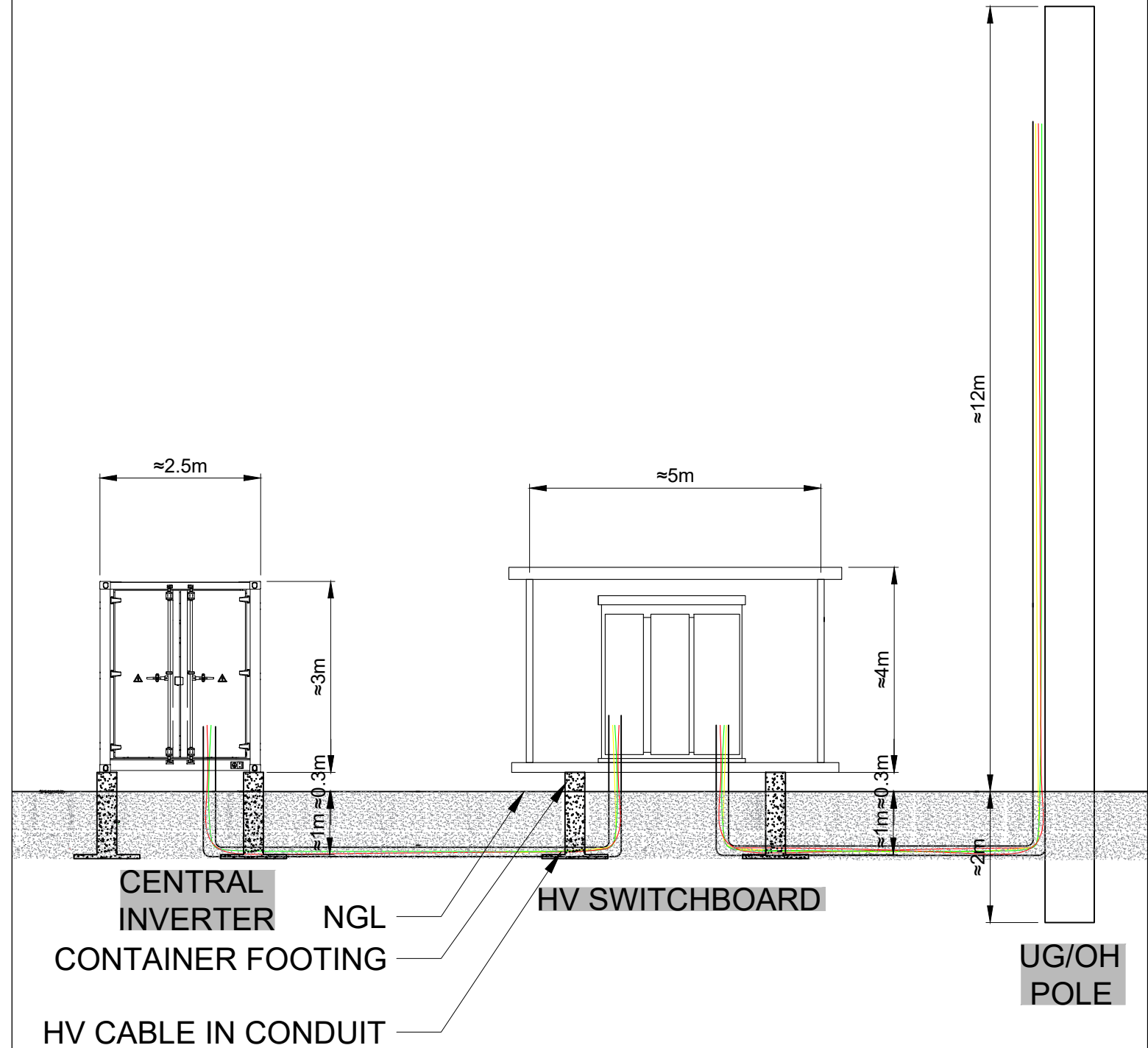
**HV SWITCHBOARD  
PLATFORM**



**UG/OH  
POLE**



**CENTRAL INVERTER, HV SWITCHBOARD AND UG/OH POLE SIDE VIEW  
(RELATIVE LOCATION REFER TO "G-1.0\_000841\_SITE PLAN")**



**REVISIONS**

| REV | STATUS | DESCRIPTION                                                   | DATE     | D.B. | C.B. |
|-----|--------|---------------------------------------------------------------|----------|------|------|
| A   | FA     | CENTRAL INVERTER, HV SWITCHBOARD, POWERCOR POLE DETAIL LAYOUT | 18/02/21 | XT   | RZ   |
|     |        |                                                               |          |      |      |
|     |        |                                                               |          |      |      |
|     |        |                                                               |          |      |      |
|     |        |                                                               |          |      |      |

**PROJECT DETAILS:** RAYWOOD SOLAR FARM  
Mcquillans Rd, Raywood VIC 3570  
-36.547881, 144.187912

**CLIENT DETAILS:** ACENERGY PTY LTD

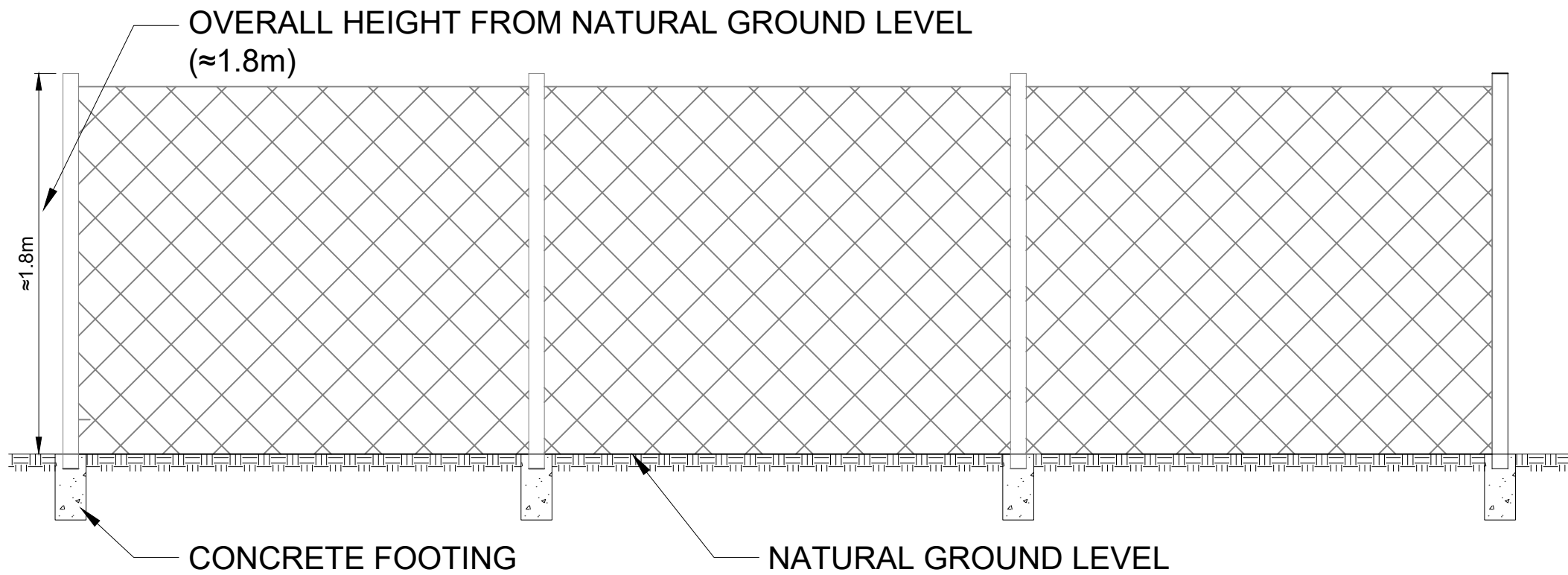
**DRAWING TITLE:** CENTRAL INVERTER, HV SWITCHBOARD, O/H POLE ELEVATION

COPYRIGHT OF THIS DRAWING RESERVED BY ACENERGY PTY LTD. NO PART OF THIS DOCUMENT MAY BE REPRODUCED OR COPIED IN ANY FORM OR BY ANY MEANS WITHOUT CONSENT OF ACENERGY.

|                                 |                            |                               |
|---------------------------------|----------------------------|-------------------------------|
| <b>DRAWING NR:</b> G-4.0_000841 |                            |                               |
| <b>DRAWN BY:</b> XT             | <b>APPROVED BY:</b> RZ     | <b>PROJECT MGR:</b> LZ        |
| <b>SCALE:</b> AS INDICATED      | <b>ISSUE:</b> FOR APPROVAL | <b>ISSUE DATE:</b> 08/02/2021 |
| <b>SHEET SIZE:</b> A3           | <b>PROJECT NO:</b> 841     | <b>REV. NO:</b> A             |

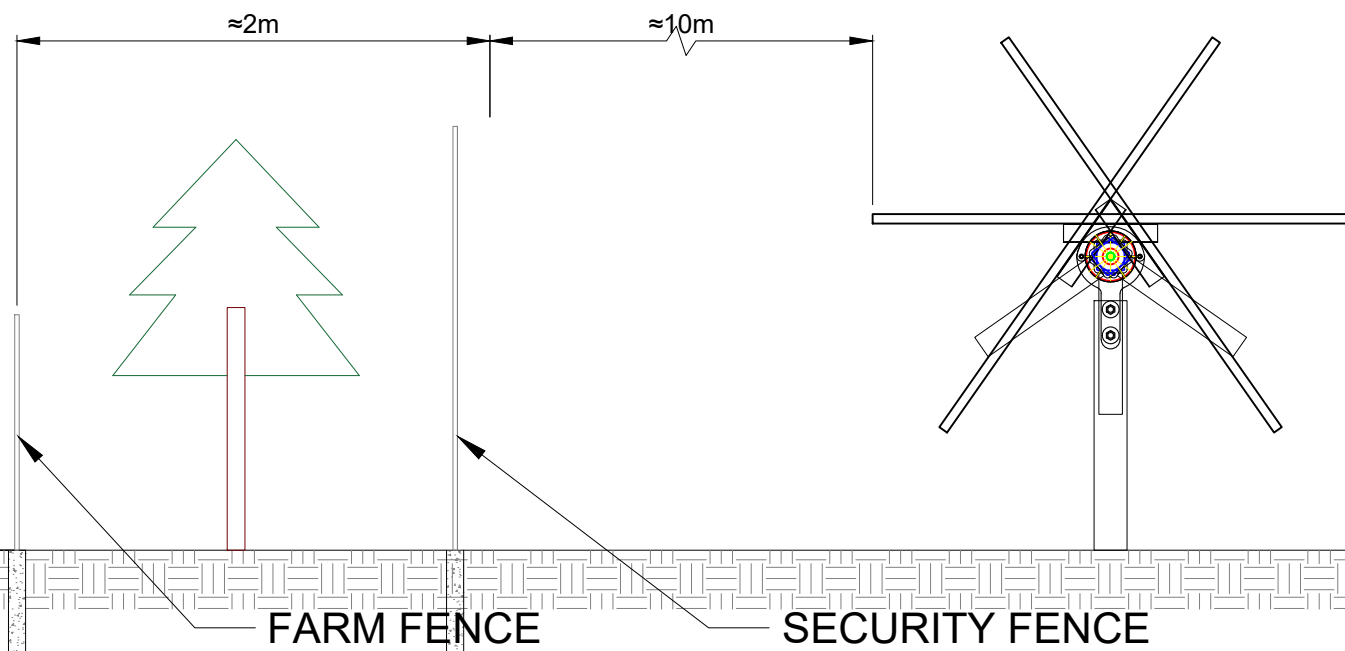


**SECURITY FENCE FRONT VIEW**  
**SCALE 1:2.5**



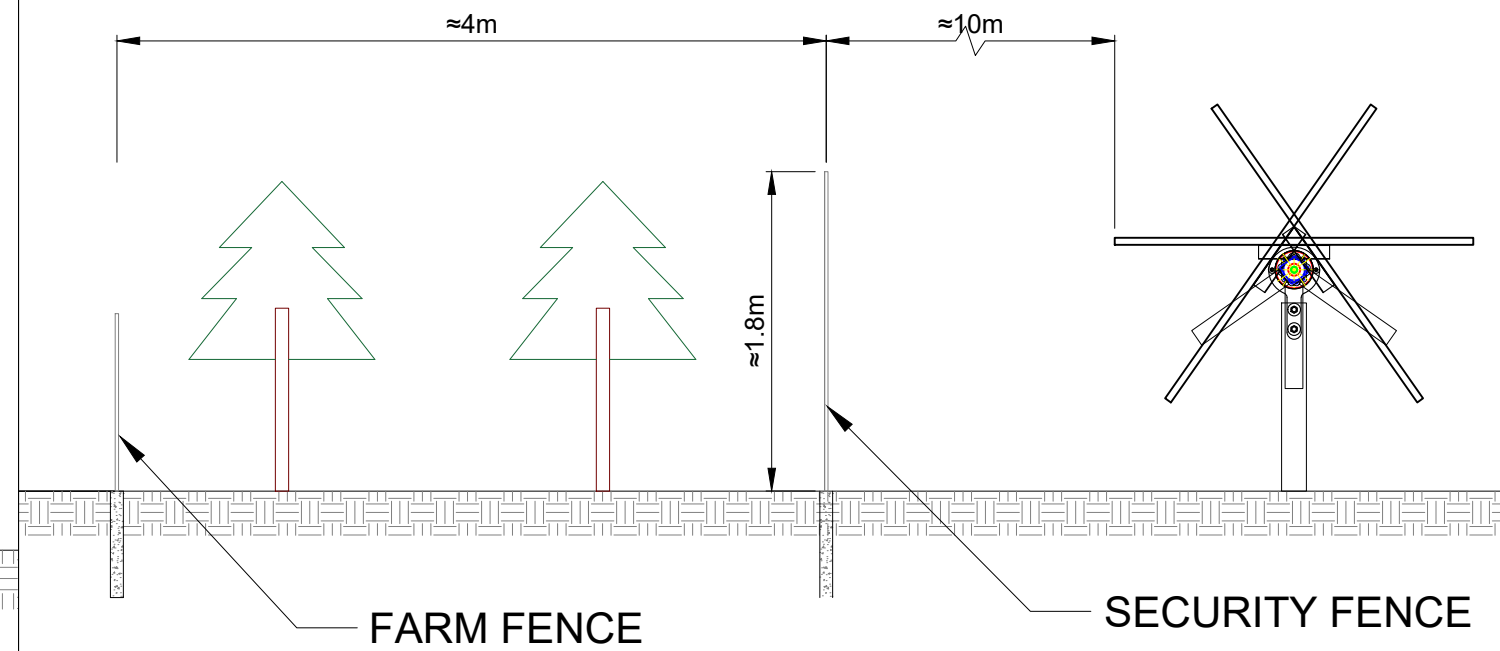
**SECURITY FENCE, LANDSCAPE AND TRACKING SYSTEM SECTION VIEW**  
**(ONE ROW OF LANDSCAPE)**

**ONE ROW OF LANDSCAPE**



**SECURITY FENCE, LANDSCAPE AND TRACKING SYSTEM SECTION VIEW**  
**(TWO ROWS OF LANDSCAPE)**

**TWO ROWS OF LANDSCAPE**



| REVISIONS |        |               |          |      |      |
|-----------|--------|---------------|----------|------|------|
| REV       | STATUS | DESCRIPTION   | DATE     | D.B. | C.B. |
| A         | FA     | INITIAL ISSUE | 18/02/21 | XT   | RZ   |
|           |        |               |          |      |      |
|           |        |               |          |      |      |
|           |        |               |          |      |      |
|           |        |               |          |      |      |

|                  |                                                                                 |
|------------------|---------------------------------------------------------------------------------|
| PROJECT DETAILS: | RAYWOOD SOLAR FARM<br>Mcquatters Rd, Raywood VIC 3570<br>-36.547881, 144.187912 |
| CLIENT DETAILS:  | ACENERGY PTY LTD                                                                |
| DRAWING TITLE:   | SECURITY FENCE DETAILS                                                          |

COPYRIGHT OF THIS DRAWING RESERVED BY ACENERGY PTY LTD. NO PART OF THIS DOCUMENT MAY BE REPRODUCED OR COPIED IN ANY FORM OR BY ANY MEANS WITHOUT CONSENT OF ACENERGY.

|             |              |               |              |               |            |
|-------------|--------------|---------------|--------------|---------------|------------|
| DRAWN BY :  | XT           | APPROVED BY : | RZ           | PROJECT MGR : | LZ         |
| SCALE :     | AS INDICATED | ISSUE :       | FOR APPROVAL | ISSUE DATE :  | 18/02/2021 |
| SHEET SIZE: | A3           | PROJECT NO:   | 841          | REV. NO:      | A          |

|             |              |
|-------------|--------------|
| DRAWING NR: | G-5.0_000841 |
|-------------|--------------|

