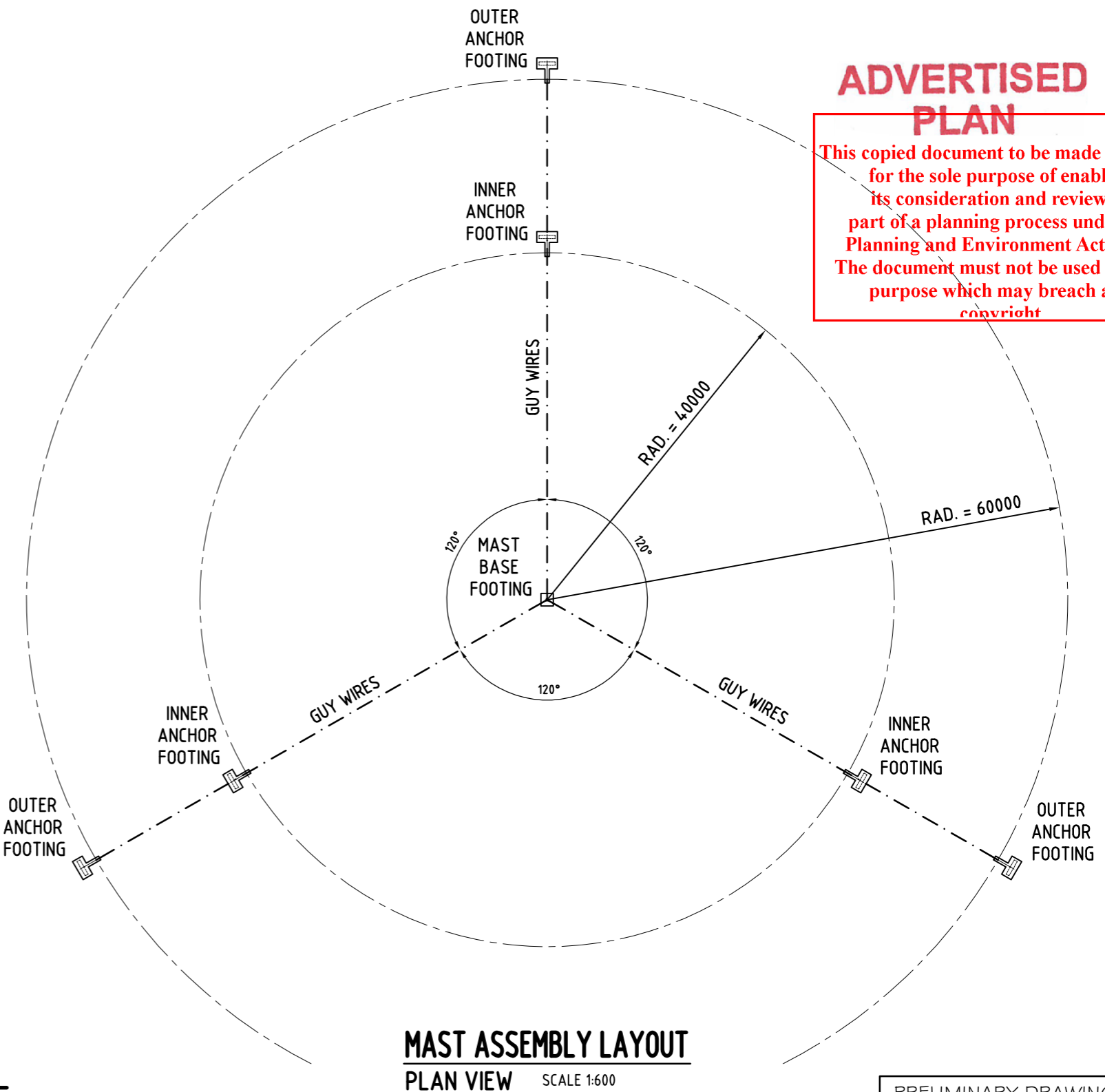


**DESIGN LOADS: (AS. 3995)**  
**WIND LOADS:** STRUCTURE TYPE II  
 REGION: A, TC2, Mt = 1.2  
 DESIGN VELOCITY (Vd) = 50m/s  
 (SERVICE LIFE 25 YEARS)

**ANCILLARY LOADING NOTE:**  
**MAXIMUM ALLOWABLE ESA:** 1.5m<sup>2</sup> - TOP  
 2.5m<sup>2</sup> - MID TOP SPAN

**NOTES:**

1. ANCILLARY CABLES TO BE ATTACHED TO ONE LEG OF MAST - TYP.
2. ANCILLARIES AND MOUNTS TO BE ATTACHED DIRECTLY TO NODES ON MAST - TYP.
3. THE ESA VALUES SHOWN ARE THE MAXIMUM ALLOWABLE (INCL. MOUNTING EQUIPMENT & ANTENNAS) AT LOCATIONS INDICATED.
4. THE ESA IS ASSUMED TO BE DISTRIBUTED OVER 2 LEGS AT LEAST.
5. THE MAX. ESA SHOWN DOES NOT TAKE INTO CONSIDERATION OFFSET OR ECCENTRIC MOUNTING. THEREFORE, OFFSET MOUNTING SHALL BE KEPT TO A MINIMUM.
6. THE ACTUAL ARRANGEMENT, LOCATION & DISTRIBUTION OF THE ANTENNAS SHALL BE CHECKED & CONFIRMED BY THE ENGINEER PRIOR TO INSTALLATION.
7. ANTENNAS WITH VERY RESTRICTIVE MOVEMENT LIMITATIONS MAY REQUIRE ADDITIONAL RESTRAINING MEMBERS (EG. 6 GUYS PER LEVEL)



**MAST ASSEMBLY LAYOUT**  
 PLAN VIEW SCALE 1:600

**GENERAL MAST ELEVATION**  
 REFER DWG. N1 FOR TYPICAL NOTES. SCALE 1:500

**ADVERTISED PLAN**

This copied document to be made available for the sole purpose of enabling its consideration and review as part of a planning process under the Planning and Environment Act 1987. The document must not be used for any purpose which may breach any copyright

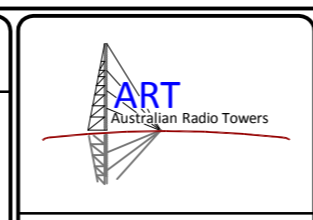
PRELIMINARY DRAWING  
 NOT TO BE USED FOR CONSTRUCTION PURPOSES FOR INFORMATION ONLY

Project: **100m (nom.) GUYED LATTICE MAST (550 FACE)**  
**TERRAIN CATEGORY 2 - REGION "A"**  
**AT: VARIOUS LOCATIONS**

Do not scale drawing. Use written dimensions only  
 This plan is copyright ©All rights reserved.

Client: **AUSTRALIAN RADIO TOWERS**

Title: **GENERAL MAST ELEVATION AND LAYOUT**

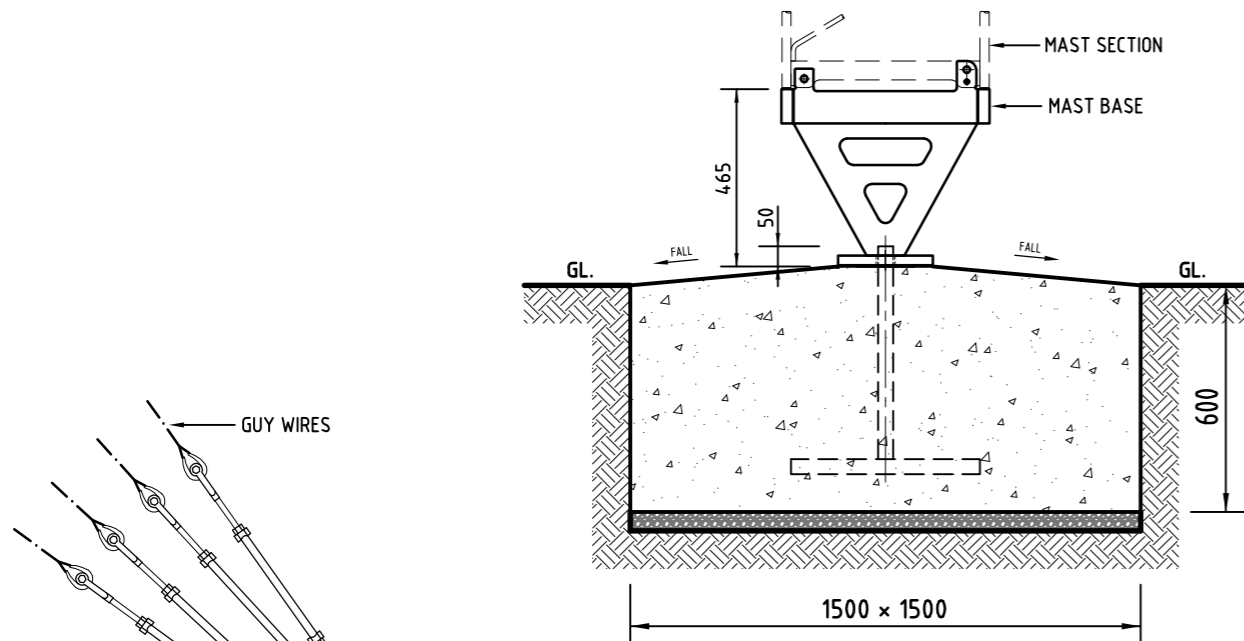


**ARDILL PAYNE**  
**ENGINEERS PLANNERS SURVEYORS**  
**ENVIRONMENTAL PROJECT MANAGEMENT**

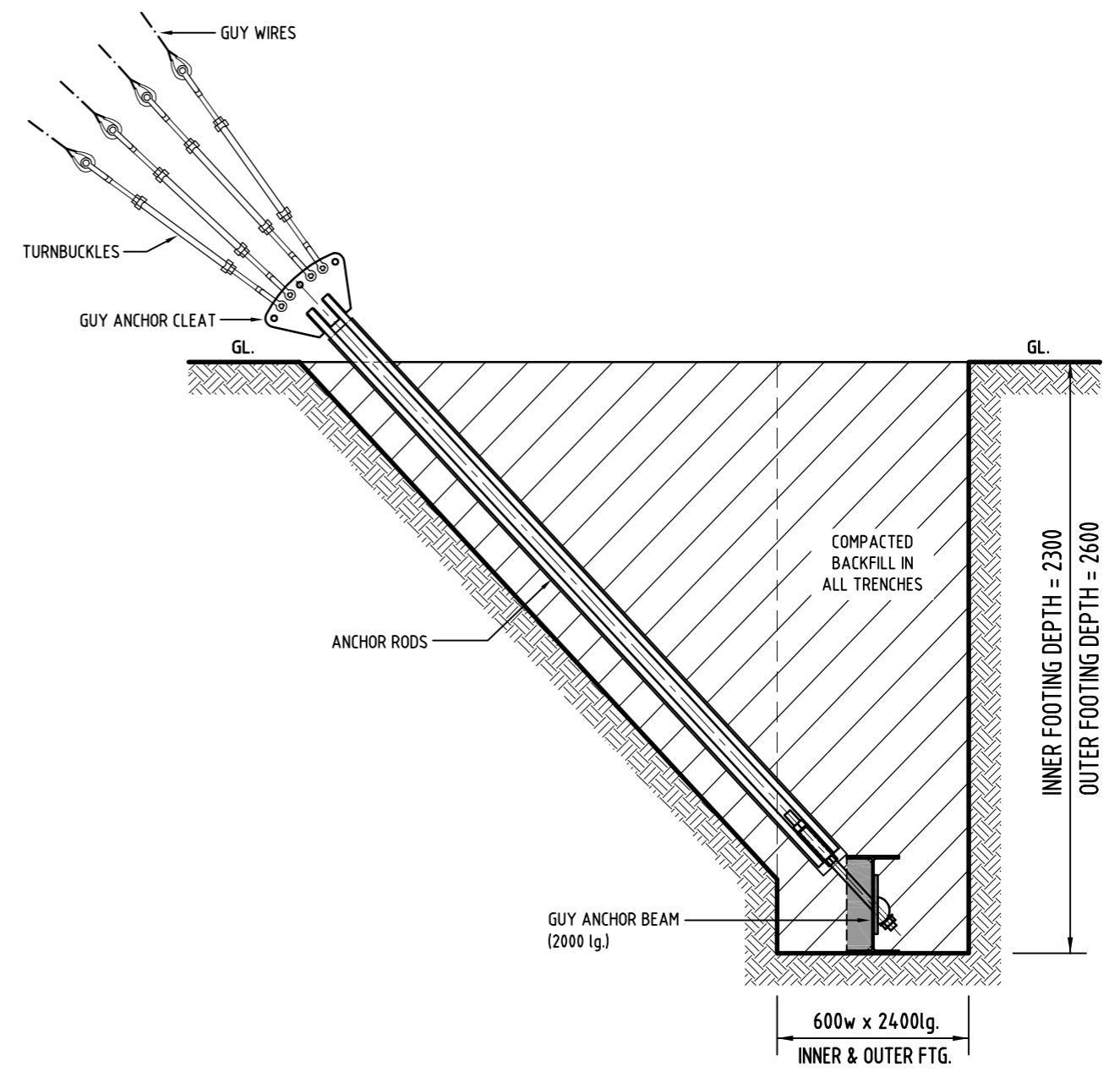
BALLINA 79 Tamar Street Ph. 02 6686 3280  
 SOUTH BRISBANE 89 Grey Street Ph. 07 3123 6675  
 GUNNEDAH 285 Conadilly Street Ph. 02 6742 9955

A.B.N. 51 808 558 977 e-mail: info@ardillpayne.com.au

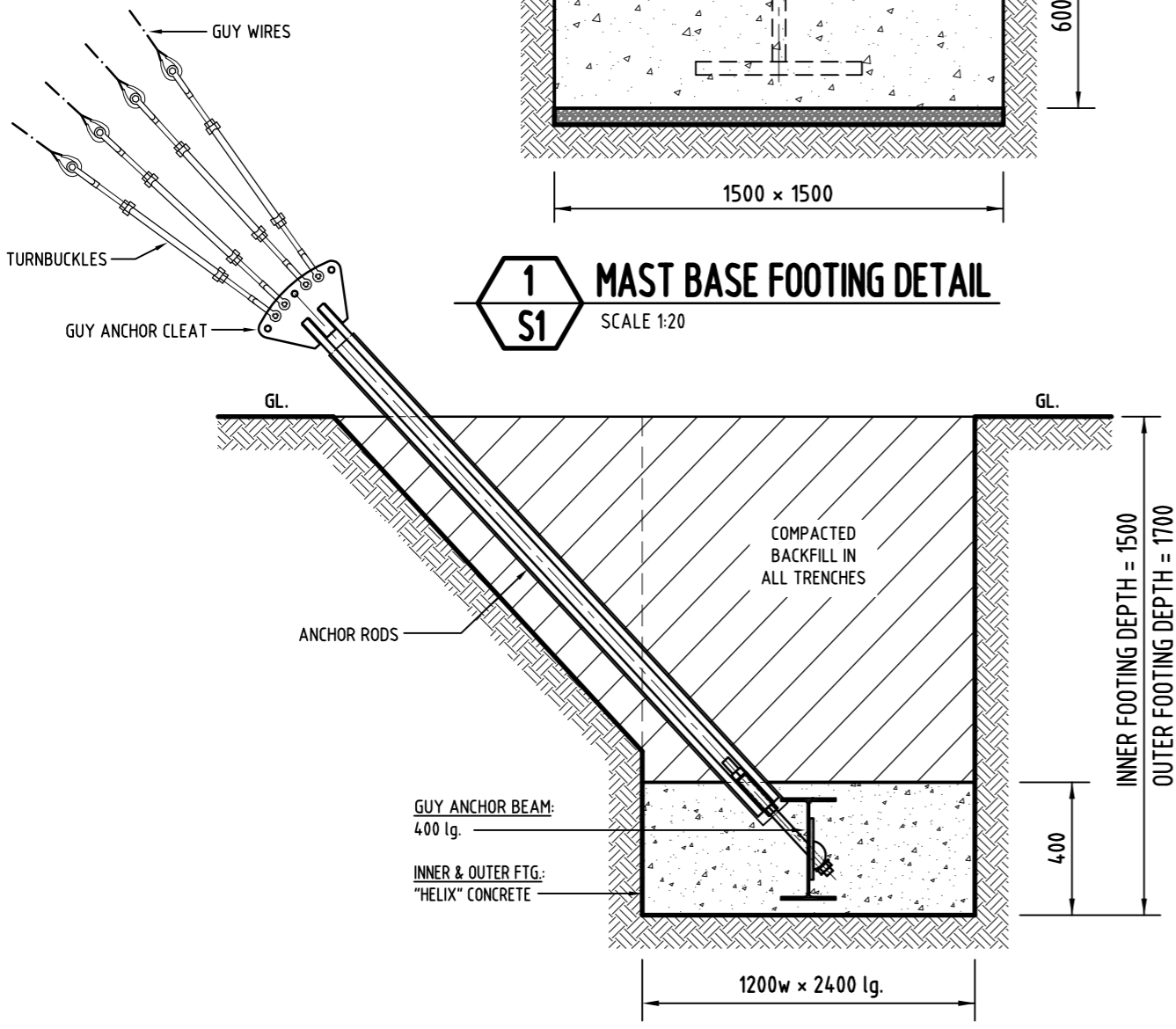
Issue	Date	Amendment
Design	UL./BP.	Scale at A3 AS NOTED
Drawn	JIM.Z.	Datum
Date	AUG. 2012	Filename 6912-LD-100m-GLM55-Reg A-TC2-M1 12-S1.dwg
Checked	APP.	Approved
Job No.	6912-LD	Dwg. No. LD-100m-GLM55-Reg A-TC2-M1 12-S1
		Issue



**1 MAST BASE FOOTING DETAIL**  
SCALE 1:20



**2 GUY ANCHOR FOOTING DETAIL**  
TEMPORARY  
SCALE 1:20

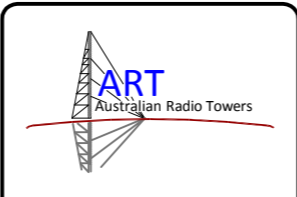


**2 GUY ANCHOR FOOTING DETAIL**  
PERMANENT  
SCALE 1:20

PRELIMINARY DRAWING  
NOT TO BE USED FOR CONSTRUCTION PURPOSES  
FOR INFORMATION ONLY

Project: **100m (nom.) GUYED LATTICE MAST (550 FACE)**  
**TERRAIN CATEGORY 2 - REGION "A"**  
**AT: VARIOUS LOCATIONS**

Client: **AUSTRALIAN RADIO TOWERS**  
Title: **FOOTING SECTIONS**



**ARDILL PAYNE**  
**ENGINEERS PLANNERS SURVEYORS**  
**ENVIRONMENTAL PROJECT MANAGEMENT**  
BALLINA 79 Tamar Street Ph. 02 6686 3280  
SOUTH BRISBANE 89 Grey Street Ph. 07 3123 6675  
GUNNEDAH 285 Conadilly Street Ph. 02 6742 9955  
A.B.N. 51 808 558 977 e-mail: info@ardillpayne.com.au

Issue	Date	Amendment
Design	UL./BP.	Scale at A3 AS NOTED
Drawn	JIM.Z.	Datum
Date	AUG. 2012	Filename 6912-LD-100m-GLM55-Reg A-TC2-M1 12-S2.dwg
Checked	APP.	Approved
Job No.	6912-LD	Dwg. No. LD-100m-GLM55-Reg A-TC2-M1 12-S2
		Issue

Do not scale drawing. Use written dimensions only  
This plan is copyright ©All rights reserved.