

LOCALITY PLAN

This copied document to be made available for the sole purpose of enabling its consideration and review as part of a planning process under the Planning and Environment Act 1987. The document must not be used for any purpose which may breach any copyright

FLOOR AND ELEVATIONS PLANS:

- SHEET 4 - HV SUBSTATION
- SHEET 5 - MV POWER STATION
- SHEET 6 - BESS UNIT
- SHEET 7 - MV SWITCH ROOM
- SHEET 8 - O&M BUILDING

ADVERTISED PLAN

- LEGEND**
- ACCESS POINT
 - ACCESS POINT (CONSTRUCTION)
 - DWELLING
 - PROPOSED 66kV POWERLINE CORRIDOR FOR WINTON BESS
 - NATIVE VEGETATION PROPOSED TO BE REMOVED
 - 220kV
 - 66kV
 - PROPOSED HORIZONTAL DIRECTIONAL DRILLING ROUTE
 - PROPOSED OPEN TRENCHING ROUTE
 - CADASTRAL BOUNDARIES

DRAWING NO.	REFERENCE DRAWING DESCRIPTION	NO.	REVISION	DRAWN	CHECK	ENG	QA	DATE
		0	ISSUED FOR USE	BZS	GM	GM		14/11/2025

THIS DOCUMENT IS THE COPYRIGHT OF FYFE Pty Ltd AND MUST NOT BE COPIED OR LOANED WITHOUT THE WRITTEN CONSENT OF FYFE Pty Ltd

SCALE 1:3000

DO NOT SCALE

SURVEYED : N/A	DATE : N/A	COORDINATE DATUM : GDA2020
DRAWN : BZS	DATE : 14/11/2025	PROJECTION : MGA ZONE 55
CHECKED : GM	DATE : 14/11/2025	LEVEL DATUM : AHD
QA : GM	DATE : 14/11/2025	LEVEL ORIGIN : N/A

MELBOURNE
Level 14, 10-16 Queen Street
Melbourne, VIC 3000
Telephone 61 3 9249 5542
www.fyfe.com.au

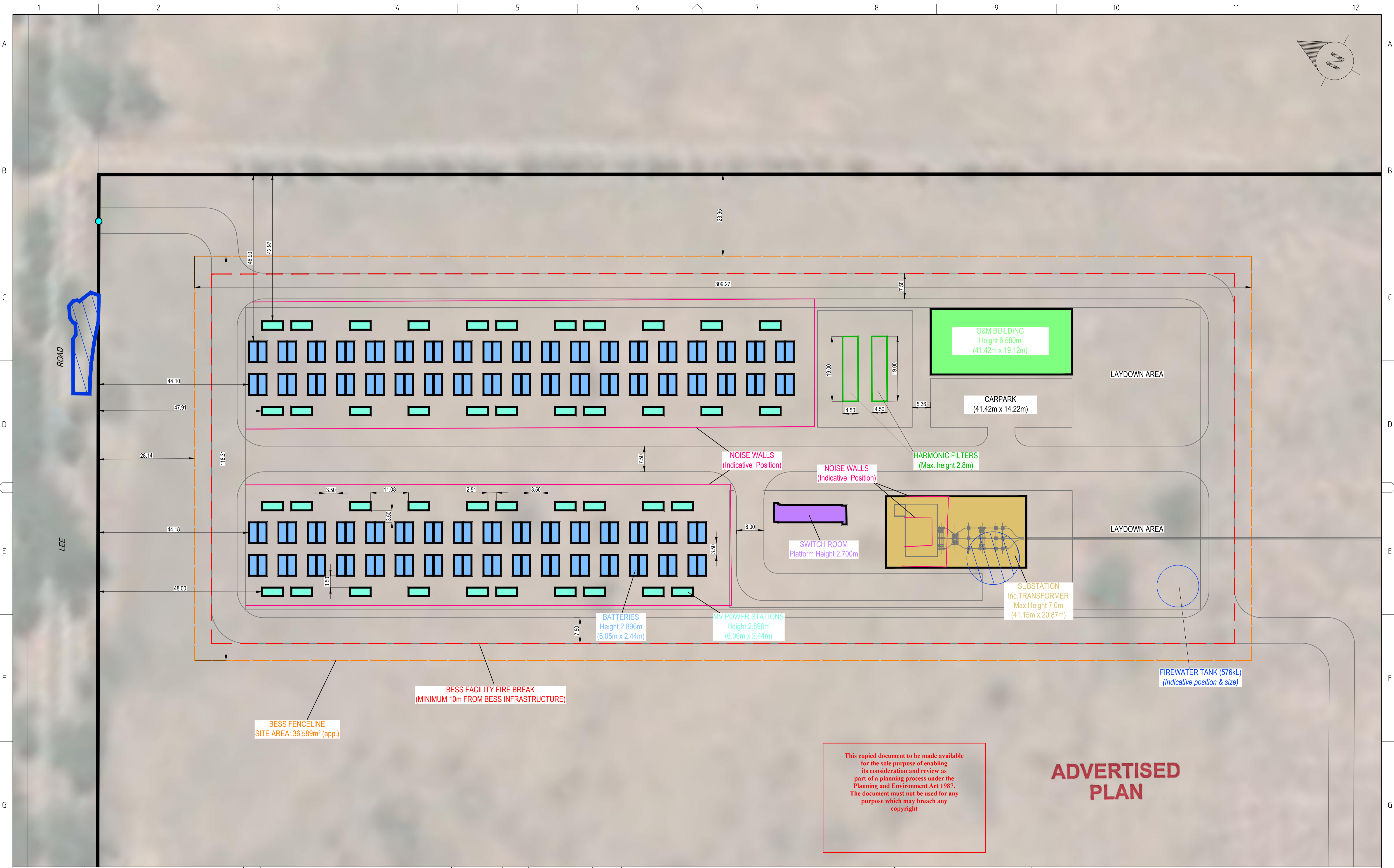
SITE PLAN

WINTON BESS
6 BOWERS ROAD, WINTON

AVENIS ENERGY

PROJECT No. 83000-4616	DRAWING 83000-4616-PL-01-SITE01-r0	SHEET 1 OF 8	REV. 0	A1
---------------------------	---------------------------------------	-----------------	-----------	----

83000-4616-PL-01-SITE01-r0.dwg



This copied document to be made available for the sole purpose of enabling its consideration and review as part of a planning process under the Planning and Environment Act 1987. The document must not be used for any purpose which may breach any copyright

ADVERTISED PLAN

DRAWING NO.	REFERENCE DRAWING DESCRIPTION	NO.	ISSUED FOR USE	REVISION	DRAWN	CHECK	ENG	QA	DATE
		0	ISSUED FOR USE		BZS	GM		GM	14/11/2025

THIS DOCUMENT IS THE COPYRIGHT OF FYFE Pty Ltd AND MUST NOT BE COPIED OR LOANED WITHOUT THE WRITTEN CONSENT OF FYFE Pty Ltd

SCALE
1:500

0 5 10 15 20 30 40 50m
1:500 AT A1
1:1000 AT A3

SURVEYED : N/A	DATE: N/A	COORDINATE DATUM : GDA2020
DRAWN : BZS	DATE: 14/11/2025	PROJECTION : MGA ZONE 55
CHECKED : GM	DATE: 14/11/2025	LEVEL DATUM : AHD
QA : GM	DATE: 14/11/2025	LEVEL ORIGIN : N/A

DO NOT SCALE

FYFE
MELBOURNE
Level 14, 10-16 Queen Street
Melbourne, VIC 3000
Telephone 61 3 9249 5542
www.fyfe.com.au

BESS LAYOUT

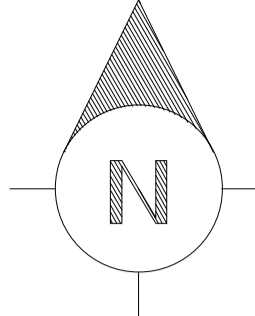
WINTON BESS
6 BOWERS ROAD, WINTON

AVENIS ENERGY

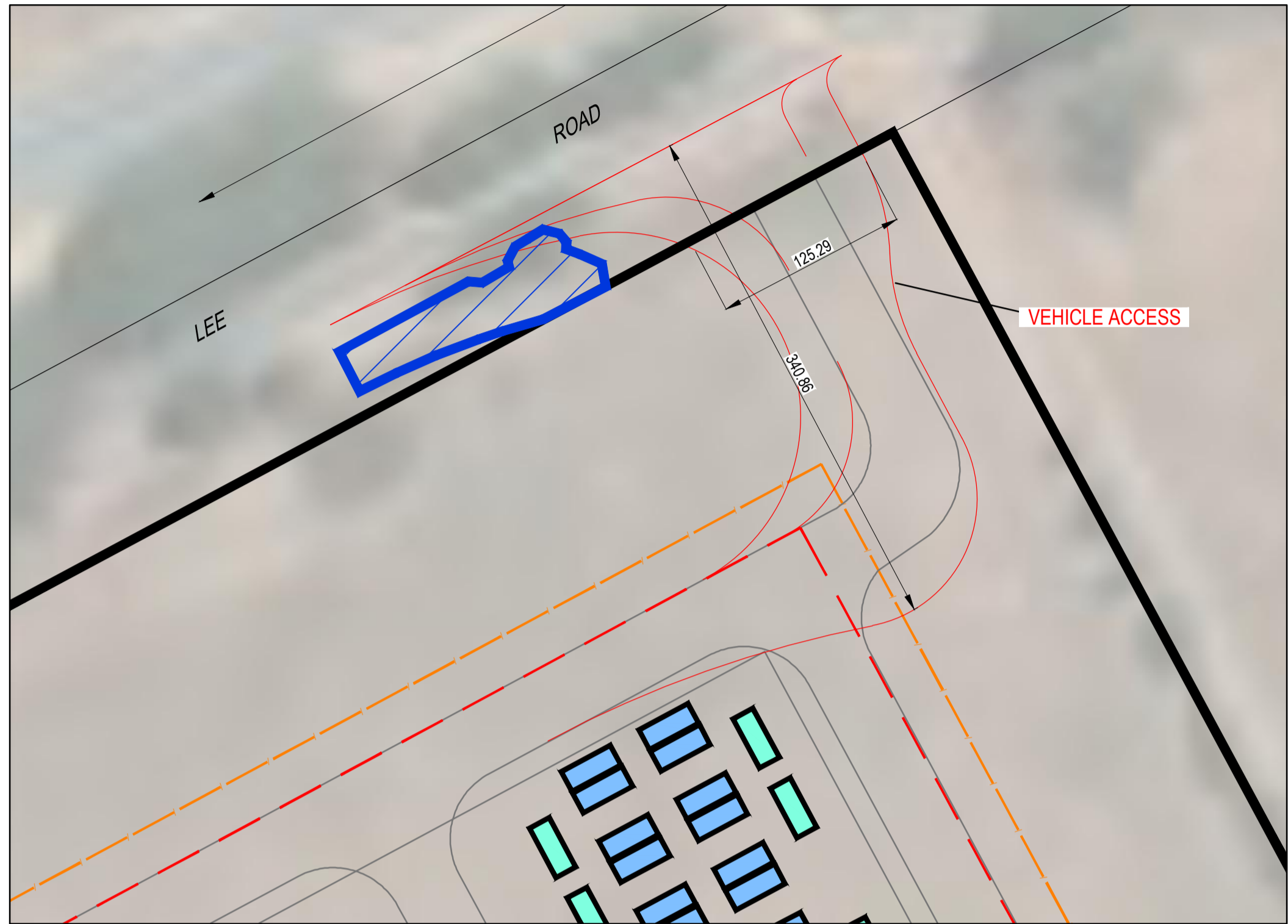
PROJECT No. 83000-4616	DRAWING 83000-4616-PL-01-SITE01-r0	SHEET 2 OF 8	REV. 0	A1
---------------------------	---------------------------------------	-----------------	-----------	----

83000-4616-PL-01-SITE01-r0.dwg

DESIGN ACCESS (PRELIMINARY)



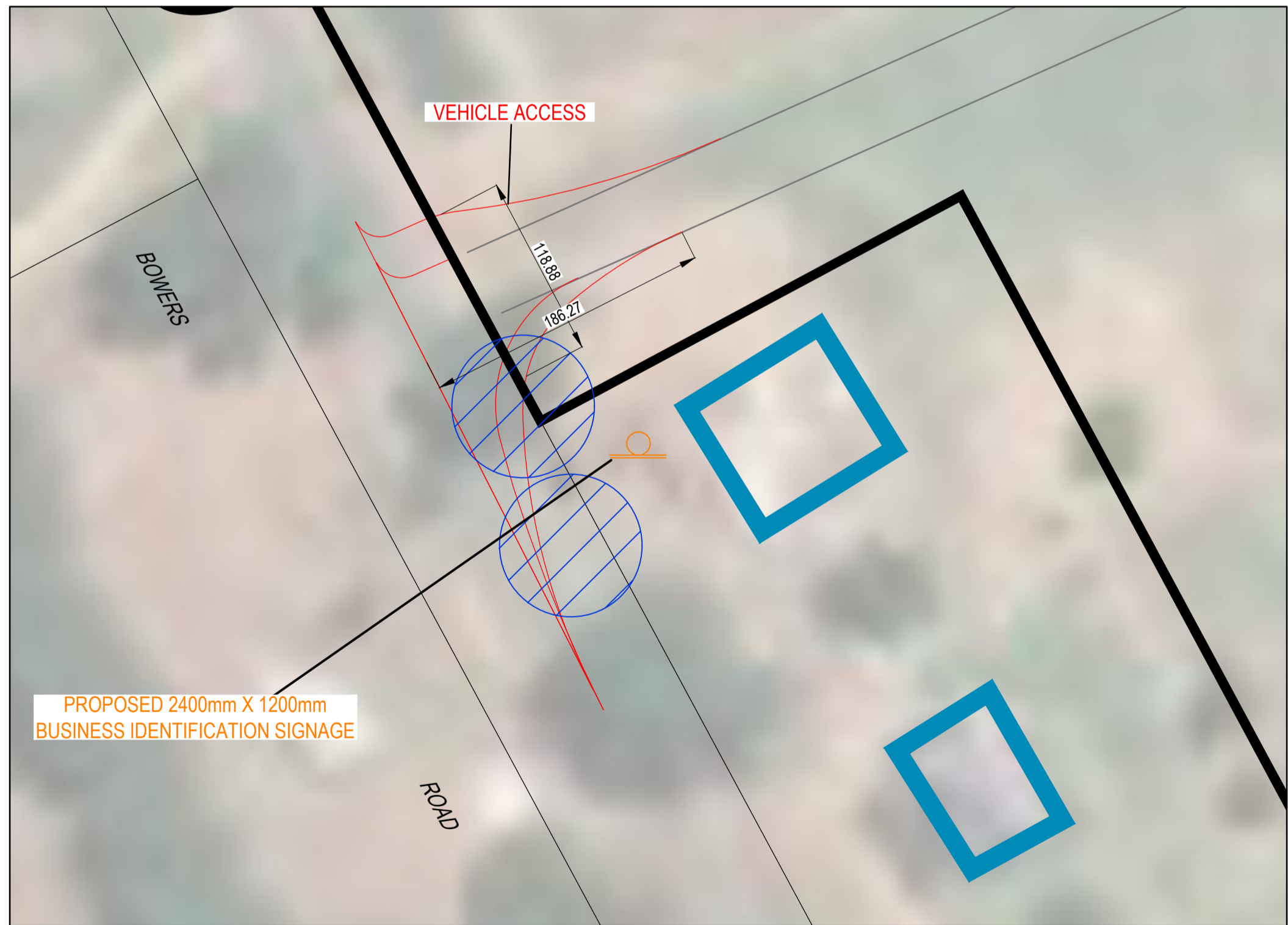
LEE ROAD



This copied document to be made available for the sole purpose of enabling its consideration and review as part of a planning process under the Planning and Environment Act 1987. The document must not be used for any purpose which may breach any copyright

ADVERTISED PLAN

BOWERS ROAD



DRAWING NO.	REFERENCE DRAWING DESCRIPTION	NO.	ISSUED FOR USE	REVISION	DRAWN	CHECK	ENG	QA	DATE
		0	ISSUED FOR USE		BZS	GM		GM	14/11/2025

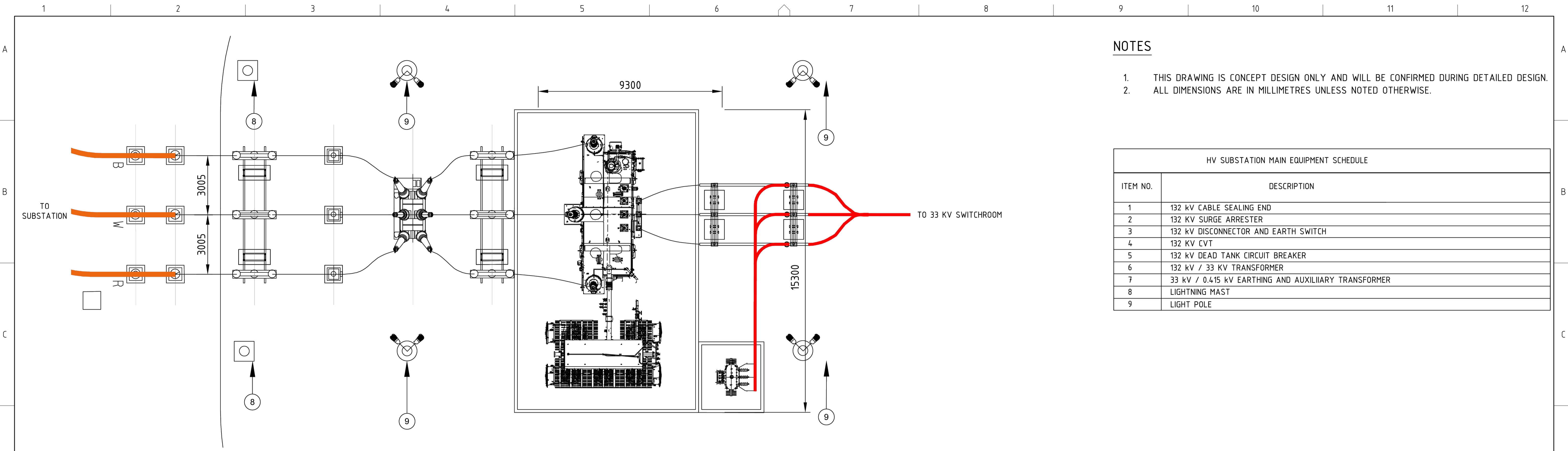
SCALE
1:500

SURVEYED : N/A DATE: N/A COORDINATE DATUM : GDA2020
 DRAWN : BZS DATE: 14/11/2025 PROJECTION : MGA ZONE 55
 CHECKED : GM DATE: 14/11/2025 LEVEL DATUM : AHD
 QA : GM DATE: 14/11/2025 LEVEL ORIGIN : N/A

DO NOT SCALE

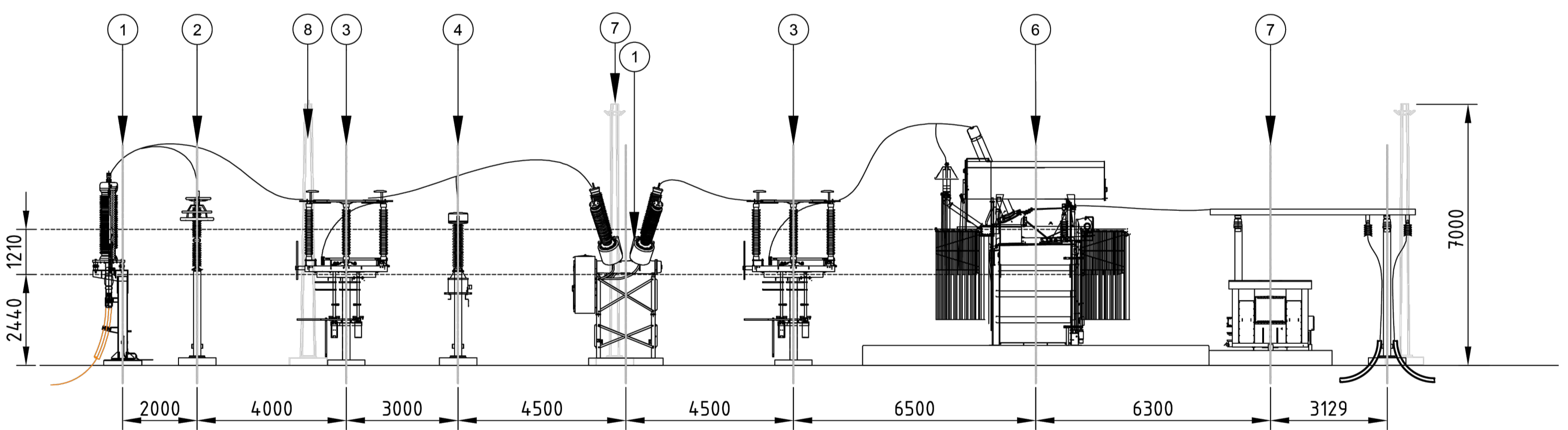
MELBOURNE
Level 14, 10-16 Queen Street
Melbourne, VIC 3000
Telephone 61 3 9249 5542
www.fyfe.com.au

PRELIMINARY ACCESS DESIGNS			
WINTON BESS 6 BOWERS ROAD, WINTON			
AVENIS ENERGY			
PROJECT No. 83000-4616	DRAWING 83000-4616-PL-01-SITE01-r0	SHEET 3 OF 8	REV. 0 A1



DETAIL 1 - HV SUBSTATION
PLAN VIEW

**ADVERTISED
PLAN**



DETAIL 2 - HV SUBSTATION
ELEVATION

NOTES

1. THIS DRAWING IS CONCEPT DESIGN ONLY AND WILL BE CONFIRMED DURING DETAILED DESIGN.
2. ALL DIMENSIONS ARE IN MILLIMETRES UNLESS NOTED OTHERWISE.

HV SUBSTATION MAIN EQUIPMENT SCHEDULE	
ITEM NO.	DESCRIPTION
1	132 kV CABLE SEALING END
2	132 kV SURGE ARRESTER
3	132 kV DISCONNECTOR AND EARTH SWITCH
4	132 kV CVT
5	132 kV DEAD TANK CIRCUIT BREAKER
6	132 kV / 33 kV TRANSFORMER
7	33 kV / 0.415 kV EARTHING AND AUXILIARY TRANSFORMER
8	LIGHTNING MAST
9	LIGHT POLE

This copied document to be made available for the sole purpose of enabling its consideration and review as part of a planning process under the Planning and Environment Act 1987. The document must not be used for any purpose which may breach any copyright

**NOT FOR
CONSTRUCTION**

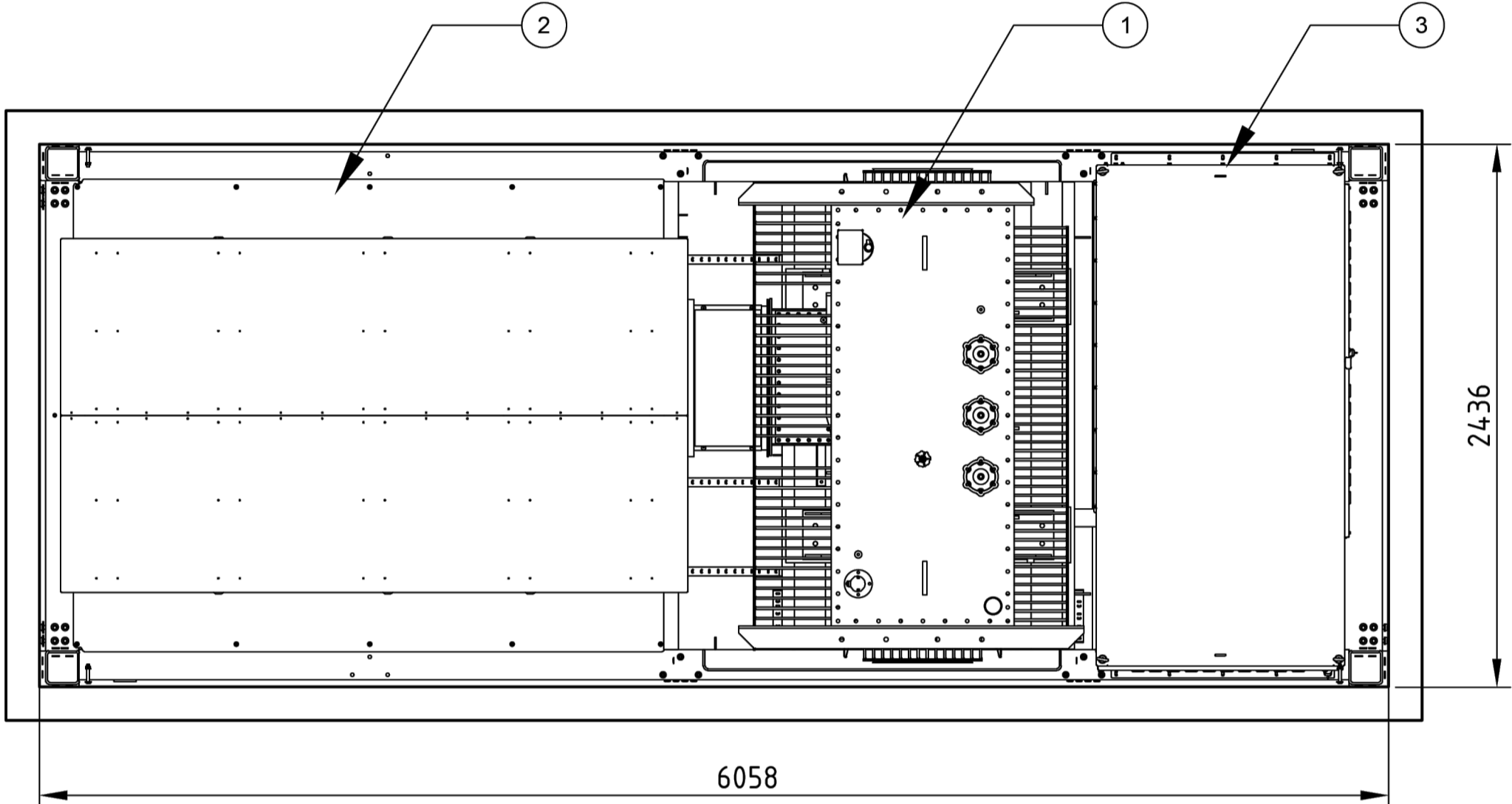
				SCALE 1:500			<p>MELBOURNE Level 14, 10-16 Queen Street Melbourne, VIC 3000 Telephone 61 3 9249 5542 www.fyfe.com.au</p>	FLOOR & ELEVATION - HV SUBSTATION						
				DO NOT SCALE				WINTON BESS 6 BOWERS ROAD, WINTON AVENIS ENERGY						
DRAWING NO.	REFERENCE DRAWING DESCRIPTION	NO.	ISSUED FOR USE	REVISION	DRAWN	CHECK	ENG	QA	DATE	PROJECT No. 83000-4616	DRAWING 83000-4616-PL-01-SITE01-r0	SHEET 4 OF 8	REV. 0	A1
THIS DOCUMENT IS THE COPYRIGHT OF FYFE Pty Ltd AND MUST NOT BE COPIED OR LOANED WITHOUT THE WRITTEN CONSENT OF FYFE Pty Ltd														

This copied document to be made available for the sole purpose of enabling its consideration and review as part of a planning process under the Planning and Environment Act 1987. The document must not be used for any purpose which may breach any copyright

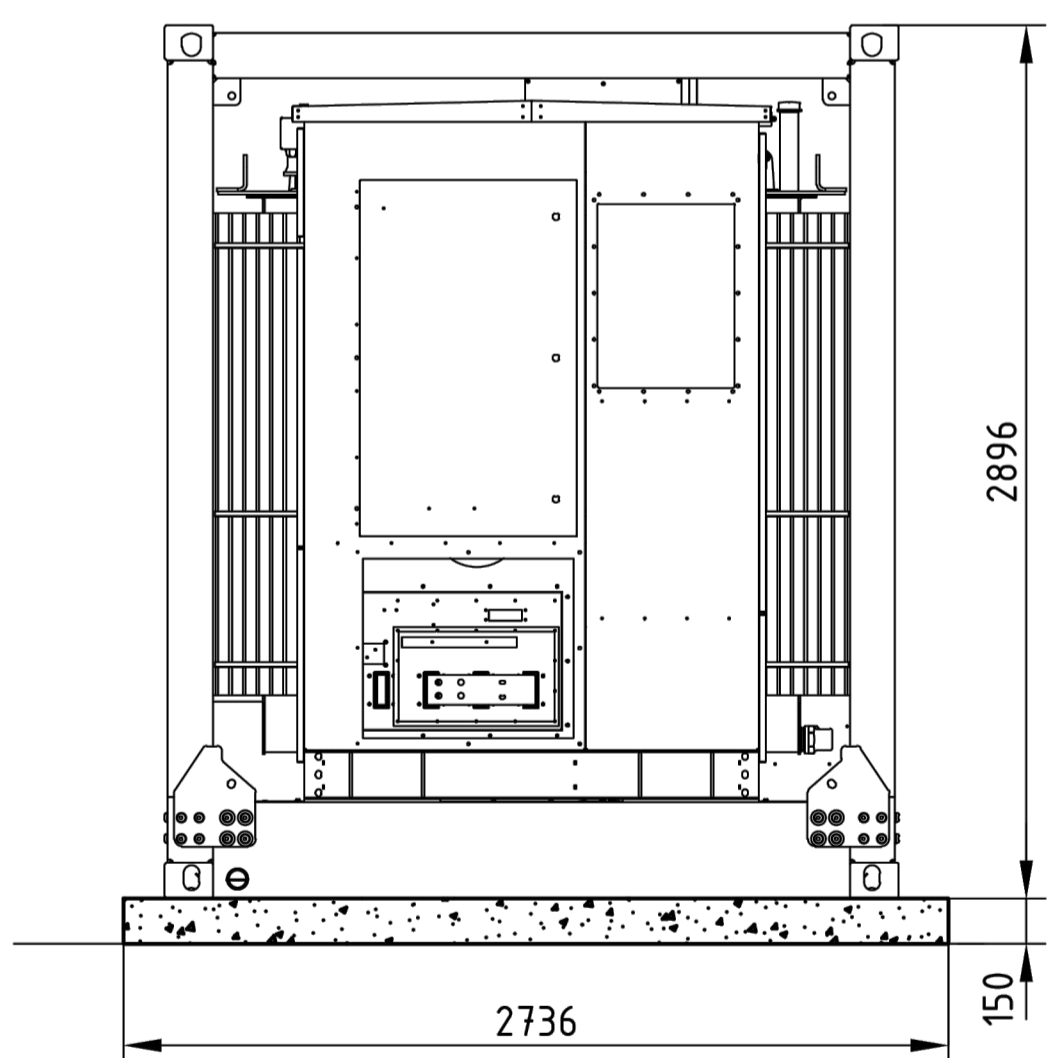
SCHEDULE OF MATERIALS				
ITEM NO.	DESCRIPTION	MATERIAL	COLOUR	FINISH
BESS CONTAINER				
01	MV TRANSFORMER	STEEL	RAL9016	MATTE
02	INVERTOR	STEEL	RAL7033	MATTE
03	MV SWITCHGEAR	STEEL	RAL7004	MATTE

- NOTES**
- THIS DRAWING IS CONCEPTUAL ONLY. THE EQUIPMENT RATINGS, SPECIFICATION AND ARRANGEMENT ARE SUBJECT TO OEM DESIGN, PROJECT REQUIREMENT AND FURTHER DESIGN STAGE.
 - FOUNDATION DESIGN TO BE CONFIRMED DURING DETAILED DESIGN

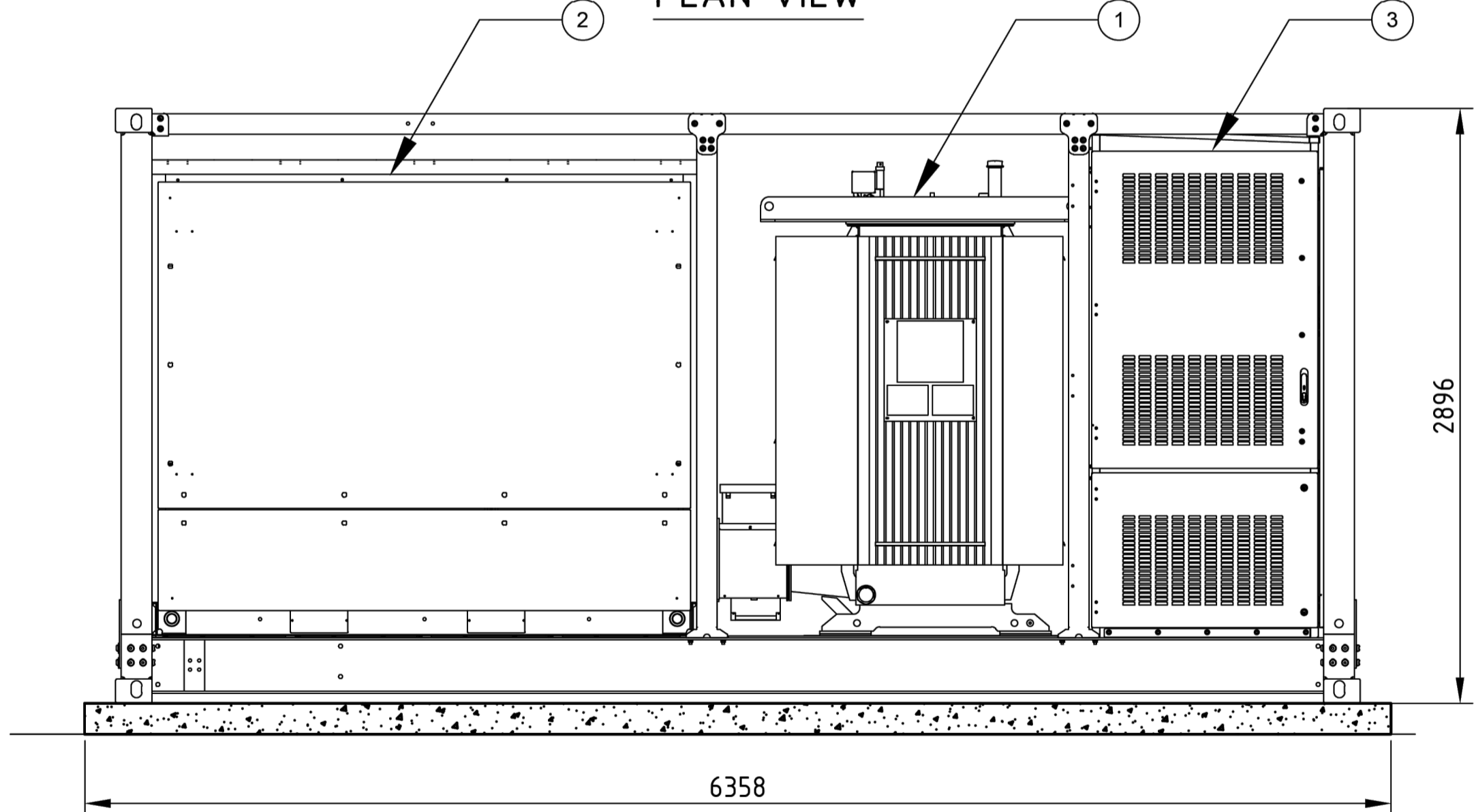
ADVERTISED PLAN



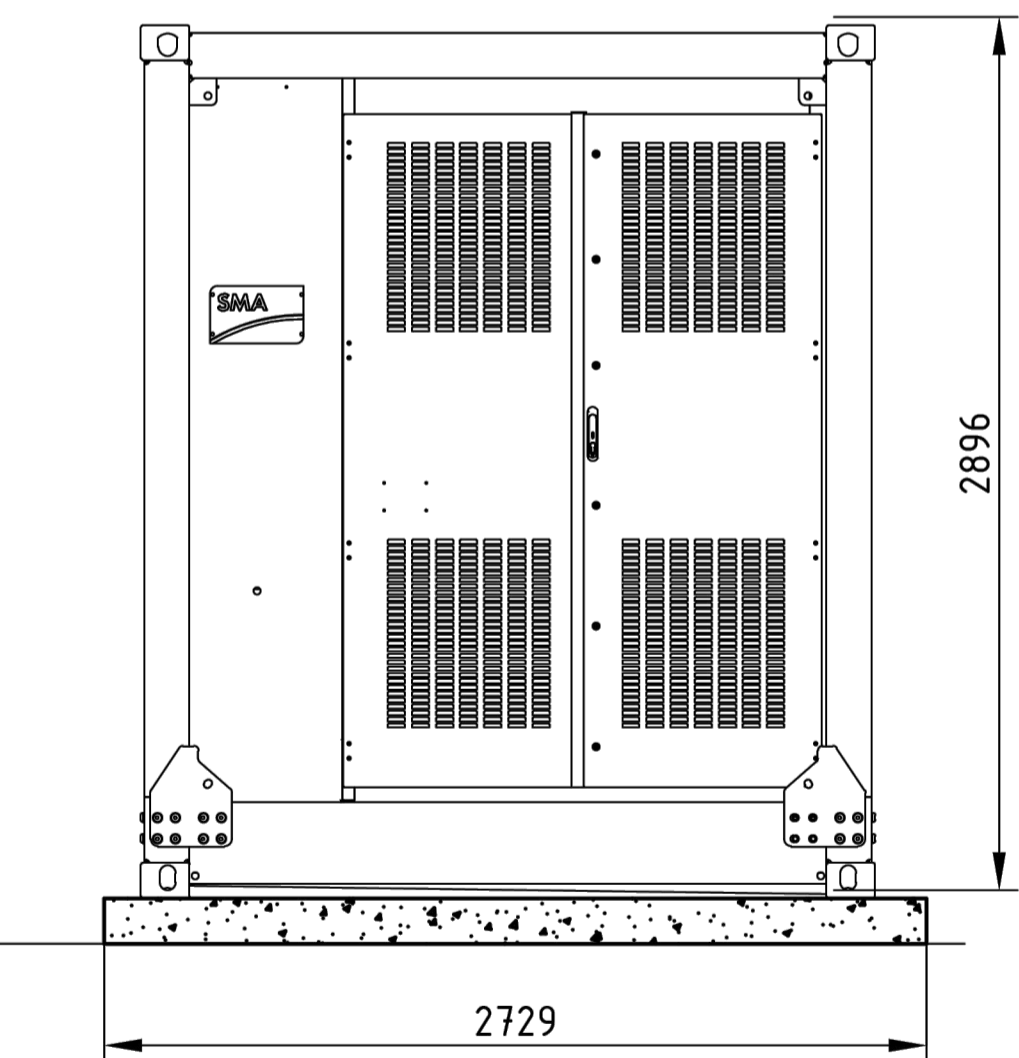
DETAIL 1 - MV POWER STATION PLAN VIEW



DETAIL 2 - MV POWER STATION FRONT VIEW



DETAIL 3 - MV POWER STATION SIDE VIEW



DETAIL 4 - MV POWER STATION REAR VIEW

NOT FOR CONSTRUCTION

										SCALE 1:500			<p>MELBOURNE Level 14, 10-16 Queen Street Melbourne, VIC 3000 Telephone 61 3 9249 5542 www.fyfe.com.au</p>	FLOOR & ELEVATION - MV POWER STATION			
										<p>SURVEYED : N/A DATE : N/A COORDINATE DATUM : GDA2020</p> <p>DRAWN : BZS DATE : 14/11/2025 PROJECTION : MGA ZONE 55</p> <p>CHECKED : GM DATE : 14/11/2025 LEVEL DATUM : AHD</p> <p>QA : GM DATE : 14/11/2025 LEVEL ORIGIN : N/A</p>	<p>WINTON BESS 6 BOWERS ROAD, WINTON</p> <p>AVENIS ENERGY</p>						
DRAWING NO.	REFERENCE DRAWING DESCRIPTION	NO.	ISSUED FOR USE	REVISION	DRAWN	CHECK	ENG	QA	DATE	<p>PROJECT No. 83000-4616 DRAWING 83000-4616-PL-01-SITE01-r0</p>		SHEET 5 OF 8	REV. 0	A1			
THIS DOCUMENT IS THE COPYRIGHT OF FYFE Pty Ltd AND MUST NOT BE COPIED OR LOANED WITHOUT THE WRITTEN CONSENT OF FYFE Pty Ltd																	

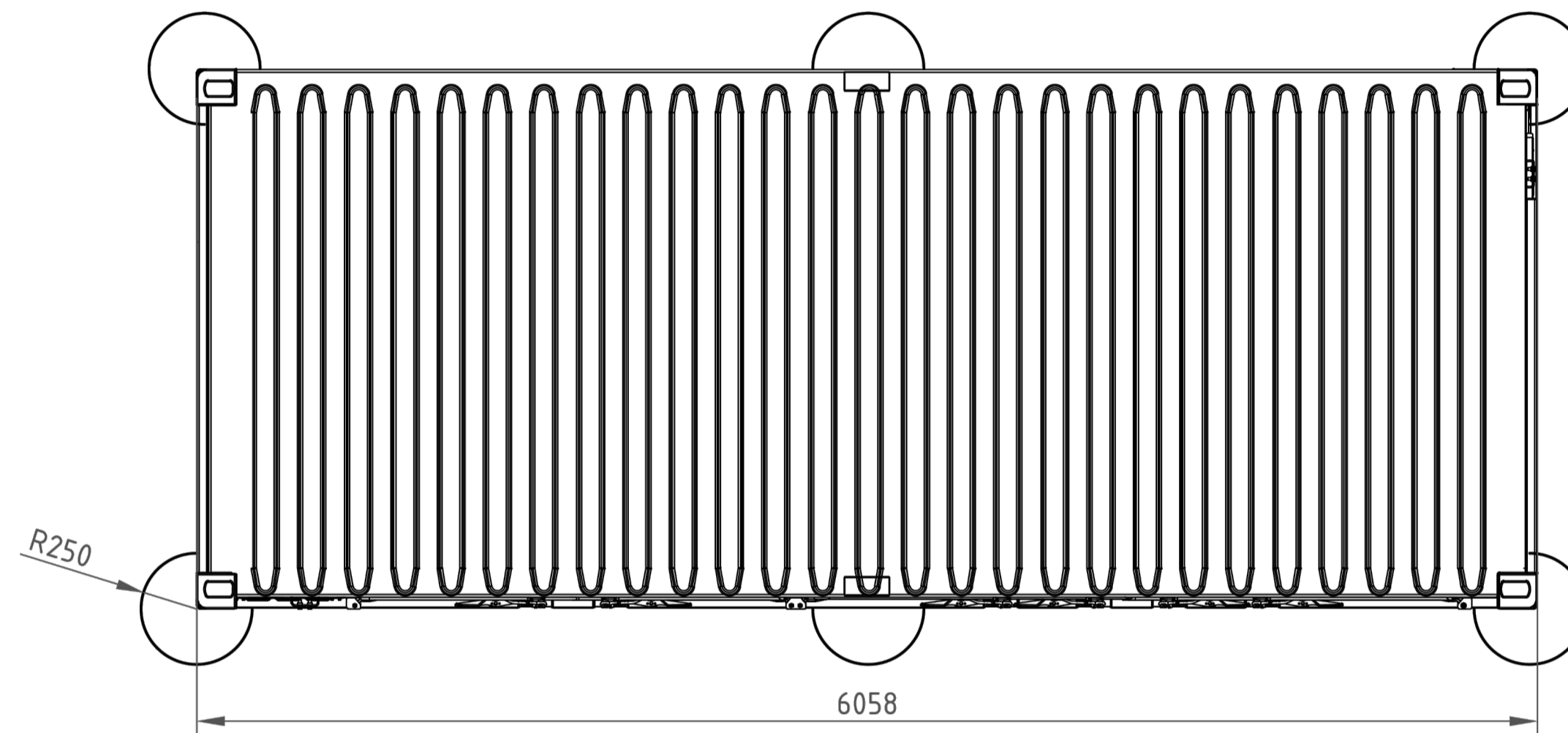
SCHEDULE OF MATERIALS				
ITEM NO.	DESCRIPTION	MATERIAL	COLOUR	FINISH
BESS CONTAINER				
01	BESS CONTAINER	STEEL	RAL9010	MATTE

This copied document to be made available for the sole purpose of enabling its consideration and review as part of a planning process under the Planning and Environment Act 1987. The document must not be used for any purpose which may breach any copyright

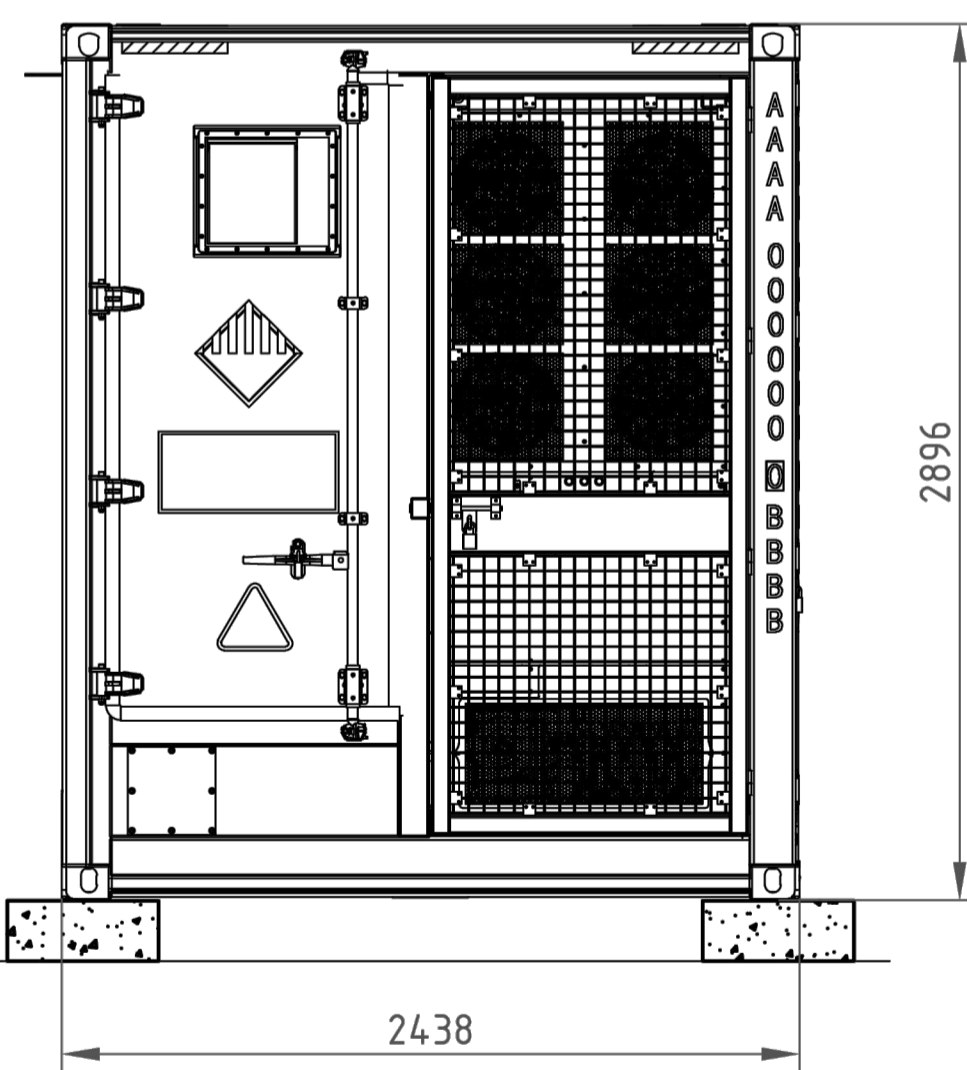
NOTES

1. THIS DRAWING IS CONCEPTUAL ONLY. THE EQUIPMENT RATINGS, SPECIFICATION AND ARRANGEMENT ARE SUBJECT TO OEM DESIGN, PROJECT REQUIREMENT AND FURTHER DESIGN STAGE.
2. FOUNDATION DESIGN TO BE CONFIRMED DURING DETAILED DESIGN

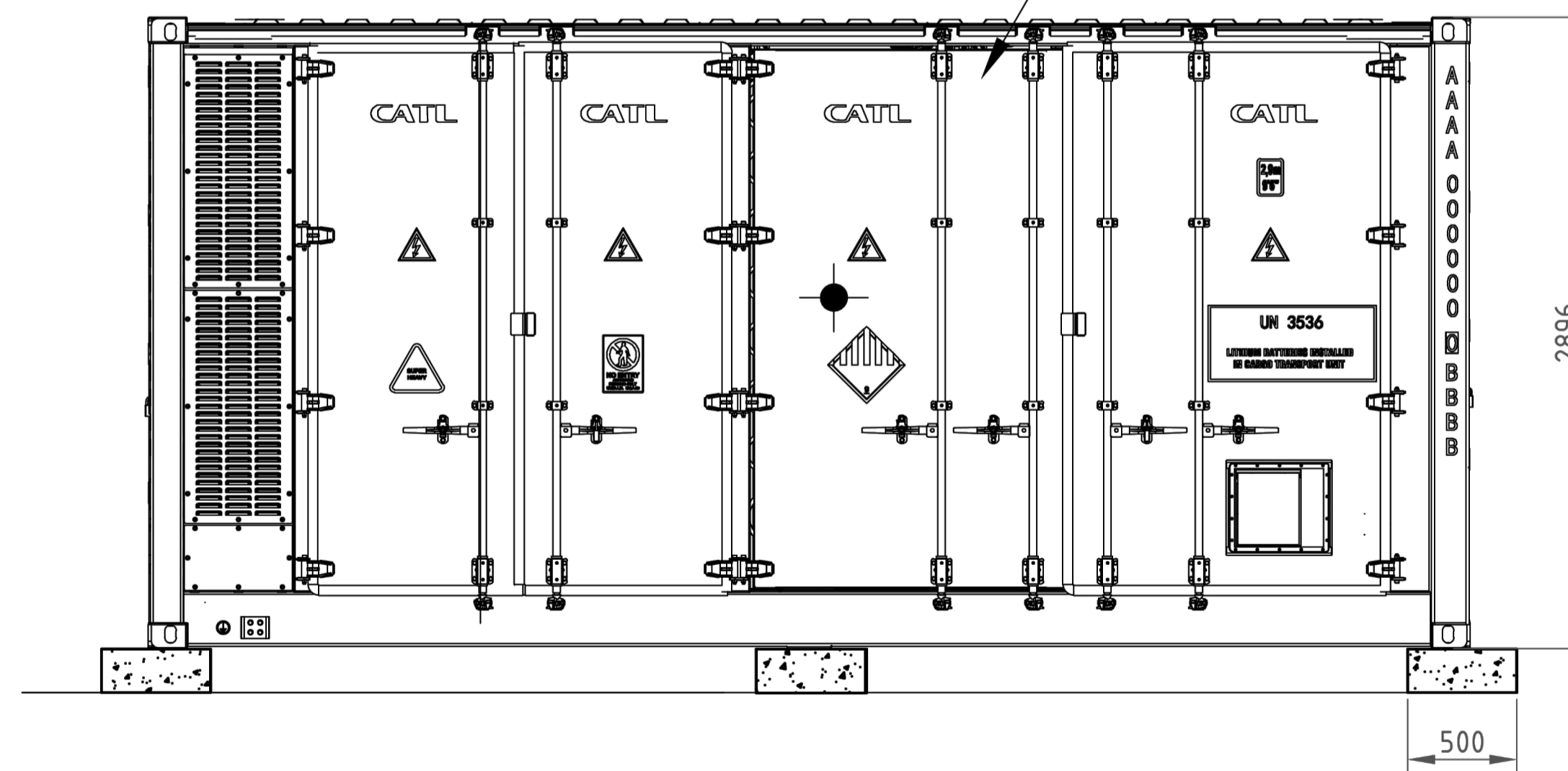
ADVERTISED PLAN



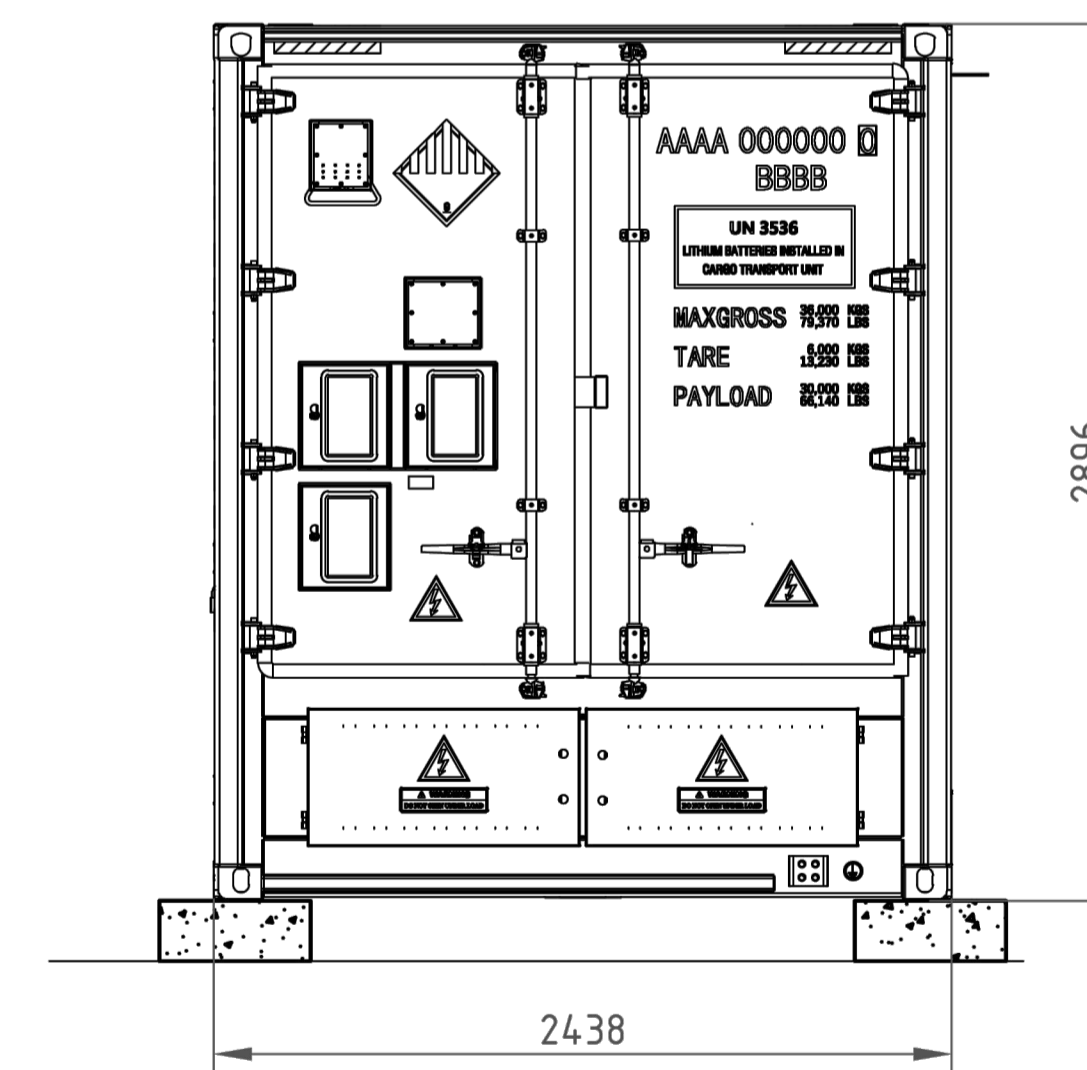
**DETAIL 1 - BESS C
PLAN VIEW**



**DETAIL 2 - BESS
FRONT ELEVATION**



**DETAIL 3 - BESS
SIDE ELEVATION**



**DETAIL 4 - BESS
BACK ELEVATION**

NOT FOR CONSTRUCTION

DRAWING NO.	REFERENCE DRAWING DESCRIPTION	NO.	REVISION	DRAWN	CHECK	ENG	QA	DATE
		0	ISSUED FOR USE	BZS	GM		GM	14/11/2025

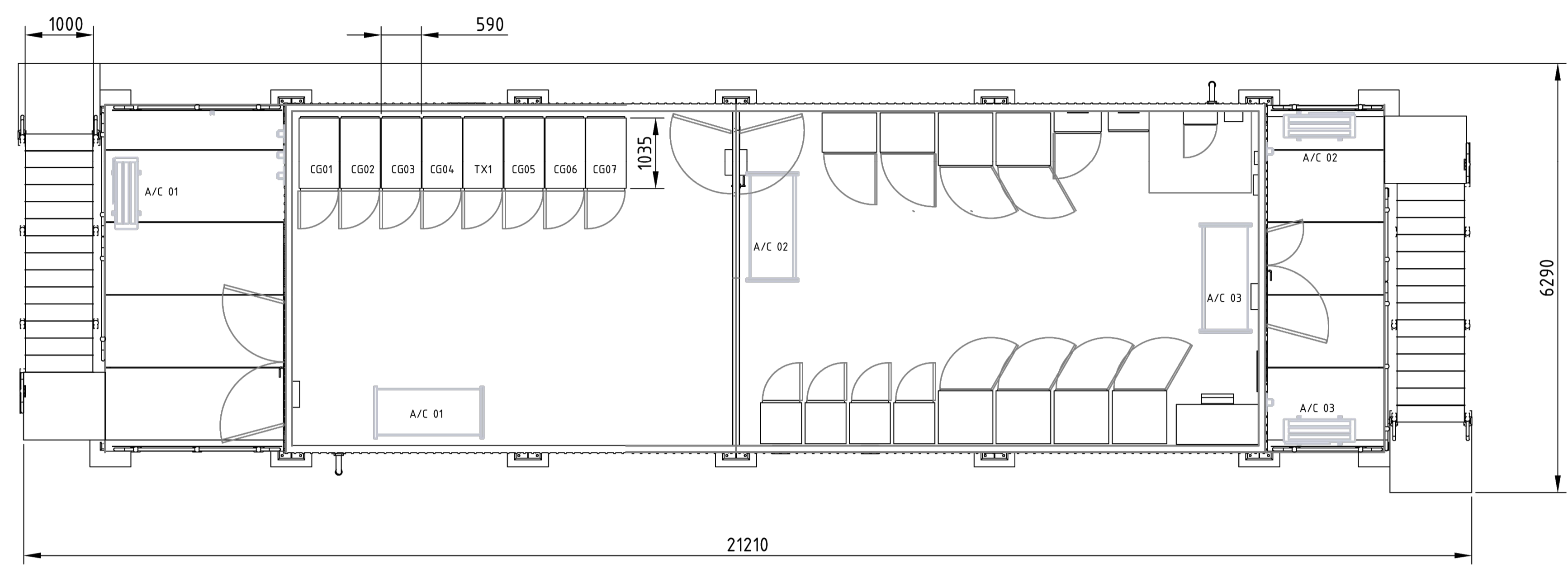
SCALE
1:500

SURVEYED : N/A DATE : N/A COORDINATE DATUM : GDA2020
 DRAWN : BZS DATE : 14/11/2025 PROJECTION : MGA ZONE 55
 CHECKED : GM DATE : 14/11/2025 LEVEL DATUM : AHD
 QA : GM DATE : 14/11/2025 LEVEL ORIGIN : N/A

MELBOURNE
Level 14, 10-16 Queen Street
Melbourne, VIC 3000
Telephone 61 3 9249 5542
www.fyfe.com.au

FLOOR & ELEVATION - BESS UNIT			
WINTON BESS 6 BOWERS ROAD, WINTON			
AVENIS ENERGY			
PROJECT No. 83000-4616	DRAWING 83000-4616-PL-01-SITE01-r0	SHEET 6 OF 8	REV. 0

This copied document to be made available for the sole purpose of enabling its consideration and review as part of a planning process under the Planning and Environment Act 1987. The document must not be used for any purpose which may breach any copyright



DETAIL 1 - 33 kV MV SWITCHROOM AND LV RELAY ROOM
PLAN VIEW

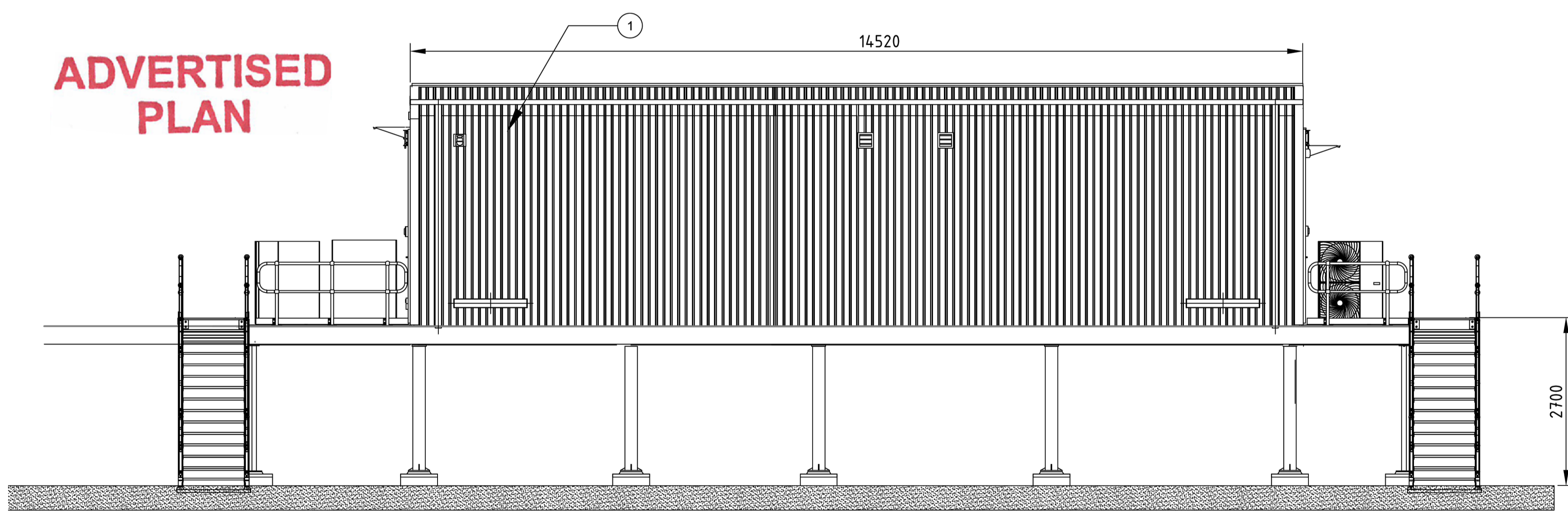
SCHEDULE OF MATERIALS				
ITEM NO.	DESCRIPTION	MATERIAL	COLOUR	FINISH
SWITCHGEAR BUILDING				
01	EXTERIOR CLADDING	COLOUR BOND STEEL	SURFMIST	MATTE

SWITCHROOM EQUIPMENT TABLE						
ITEM NO.	QTY.	DESCRIPTION	WIDTH	DEPTH	HEIGHT	WEIGHT (kg)
33kV SWITCHGEAR						
CG01	1	COLLECTOR GROUP 01	590	1035	1600	590
CG02	1	COLLECTOR GROUP 02	590	1035	1600	590
CG03	1	COLLECTOR GROUP 03	590	1035	1600	590
TX01	1	TRANSFORMER CONNECTION	590	1035	1600	590
CG04	1	COLLECTOR GROUP 04	590	1035	1600	590
CG05	1	COLLECTOR GROUP 05	590	1035	1600	590
CG06	1	COLLECTOR GROUP 06	590	1035	1600	590
CG07	1	COLLECTOR GROUP 07	590	1035	1600	590

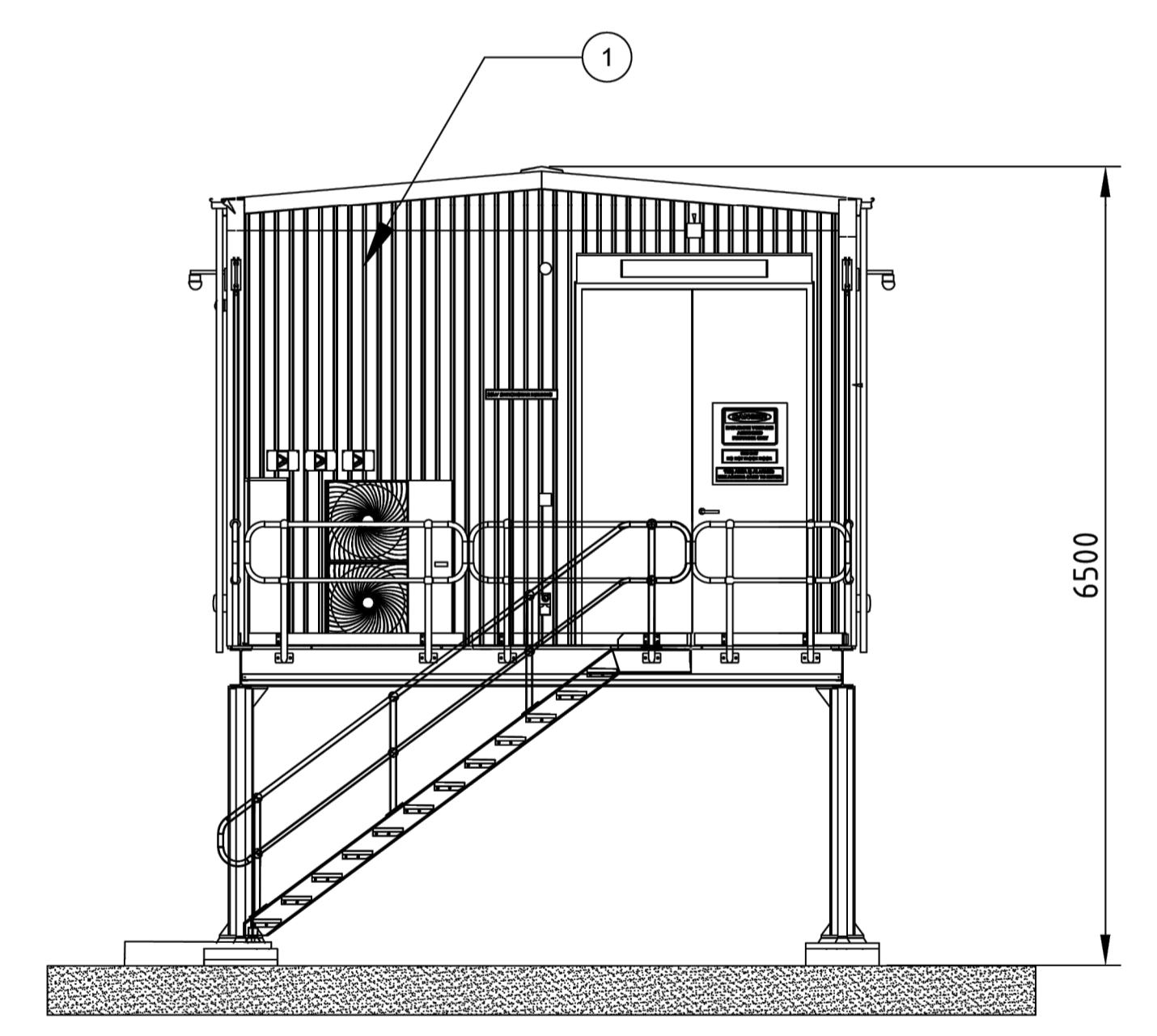
NOTES

- THIS DRAWING IS CONCEPT DESIGN ONLY AND WILL BE CONFIRMED DURING DETAILED DESIGN.
- ALL DIMENSIONS ARE IN MILLIMETRES UNLESS NOTED OTHERWISE.

ADVERTISED
PLAN



DETAIL 3 - 33 kV MV SWITCHROOM AND LV RELAY ROOM
FRONT ELEVATION



DETAIL 2 - 33 kV MV SWITCHROOM AND LV RELAY ROOM
SIDE ELEVATION

NOT FOR
CONSTRUCTION

DRAWING NO.	REFERENCE DRAWING DESCRIPTION	NO.	REVISION	DRAWN	CHECK	ENG	QA	DATE
		0	ISSUED FOR USE	BZS	GM	GM		14/11/2025

SCALE
1:500

SURVEYED : N/A DATE: N/A COORDINATE DATUM : GDA2020
 DRAWN : BZS DATE: 14/11/2025 PROJECTION : MGA ZONE 55
 CHECKED : GM DATE: 14/11/2025 LEVEL DATUM : AHD
 QA : GM DATE: 14/11/2025 LEVEL ORIGIN : N/A

DO NOT SCALE

MELBOURNE
Level 14, 10-16 Queen Street
Melbourne, VIC 3000
Telephone 61 3 9249 5542
www.fyfe.com.au

FLOOR & ELEVATION - MV SWITCH ROOM				
WINTON BESS 6 BOWERS ROAD, WINTON				
AVENIS ENERGY				
PROJECT No. 83000-4616	DRAWING 83000-4616-PL-01-SITE01-r0	SHEET 7 OF 8	REV. 0	A1

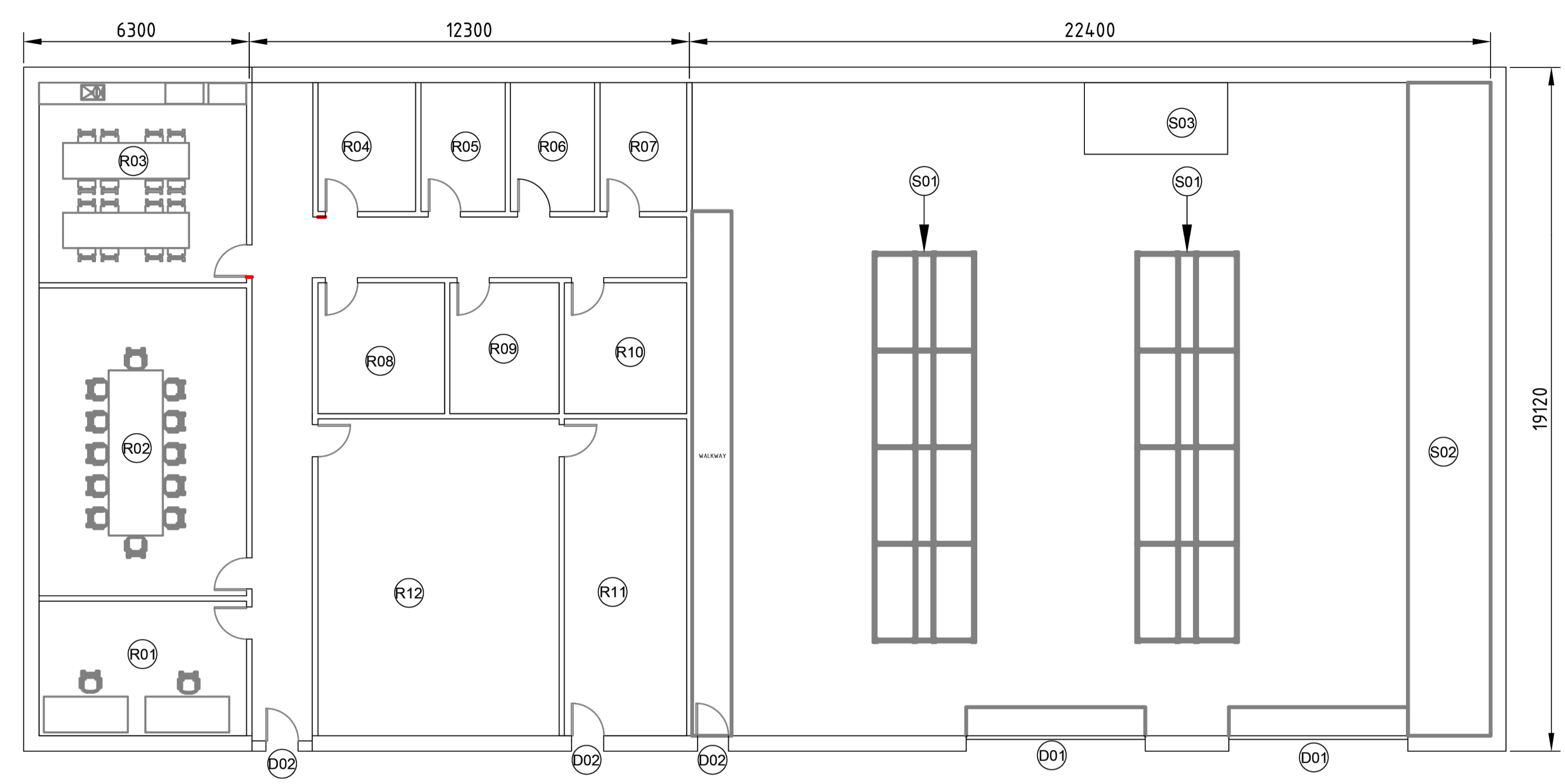
THIS DOCUMENT IS THE COPYRIGHT OF FYFE Pty Ltd AND MUST NOT BE COPIED OR LOANED WITHOUT THE WRITTEN CONSENT OF FYFE Pty Ltd

SCHEDULE OF MATERIALS				
ITEM NO.	DESCRIPTION	MATERIAL	COLOUR	FINISH
OPERATIONS AND MAINTENANCE BUILDING				
01	EXTERIOR CLADDING	COLOUR BOND STEEL	SURFMIST	MATTE

NOTES

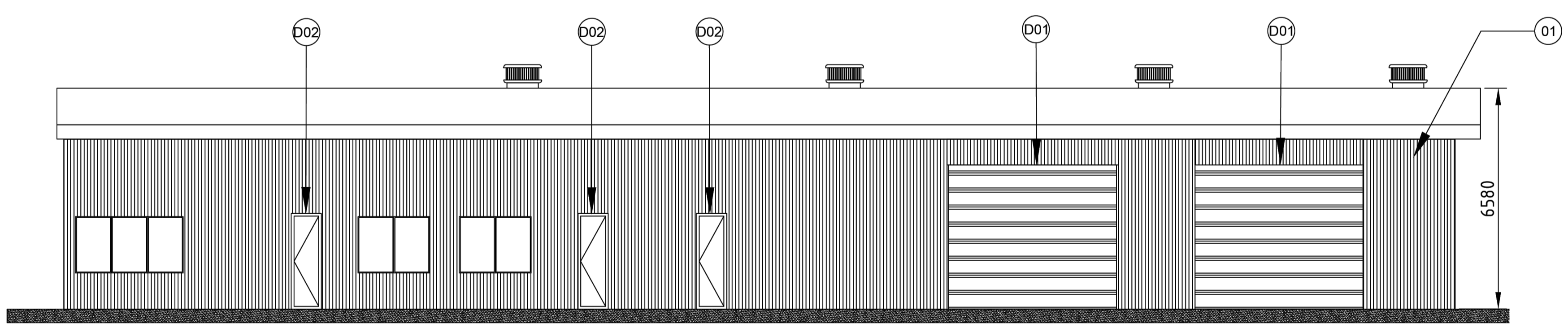
- THIS DRAWING IS CONCEPT DESIGN ONLY AND WILL BE CONFIRMED DURING DETAILED DESIGN.
- ALL DIMENSIONS ARE IN MILLIMETRES UNLESS NOTED OTHERWISE.

OPERATIONS AND MAINTENANCE ROOM DETAILS		
ITEM NO.	QTY.	DESCRIPTION
33kV SWITCHGEAR		
R01	1	SITE OPERATOR ROOM
R02	1	MEETING ROOM
R03	1	LUNCHROOM
R04	1	DISABILITY/ UNISEX TOILET & SHOWER
R05	1	MALE TOILET AND CHANGING ROOM
R06	1	FEMALE TOILET AND CHANGING ROOM
R07	1	LOCKER ROOM
R08	1	BATTERY AND UPS ROOM
R09	1	FIRST AID ROOM
R10	1	IT AND SERVER ROOM
R11	1	LT PANEL ROOM
R12	1	OFFICE
S01	16	SPARE EQUIPMENT PALLETS
S02	1	HAZARDOUS CHEMICAL STORAGE
S03	1	ELECTRIC FORKLIFT CHARGING AND PARKING
D01	2	ROLLER DOOR
D02	3	ACCESS DOOR

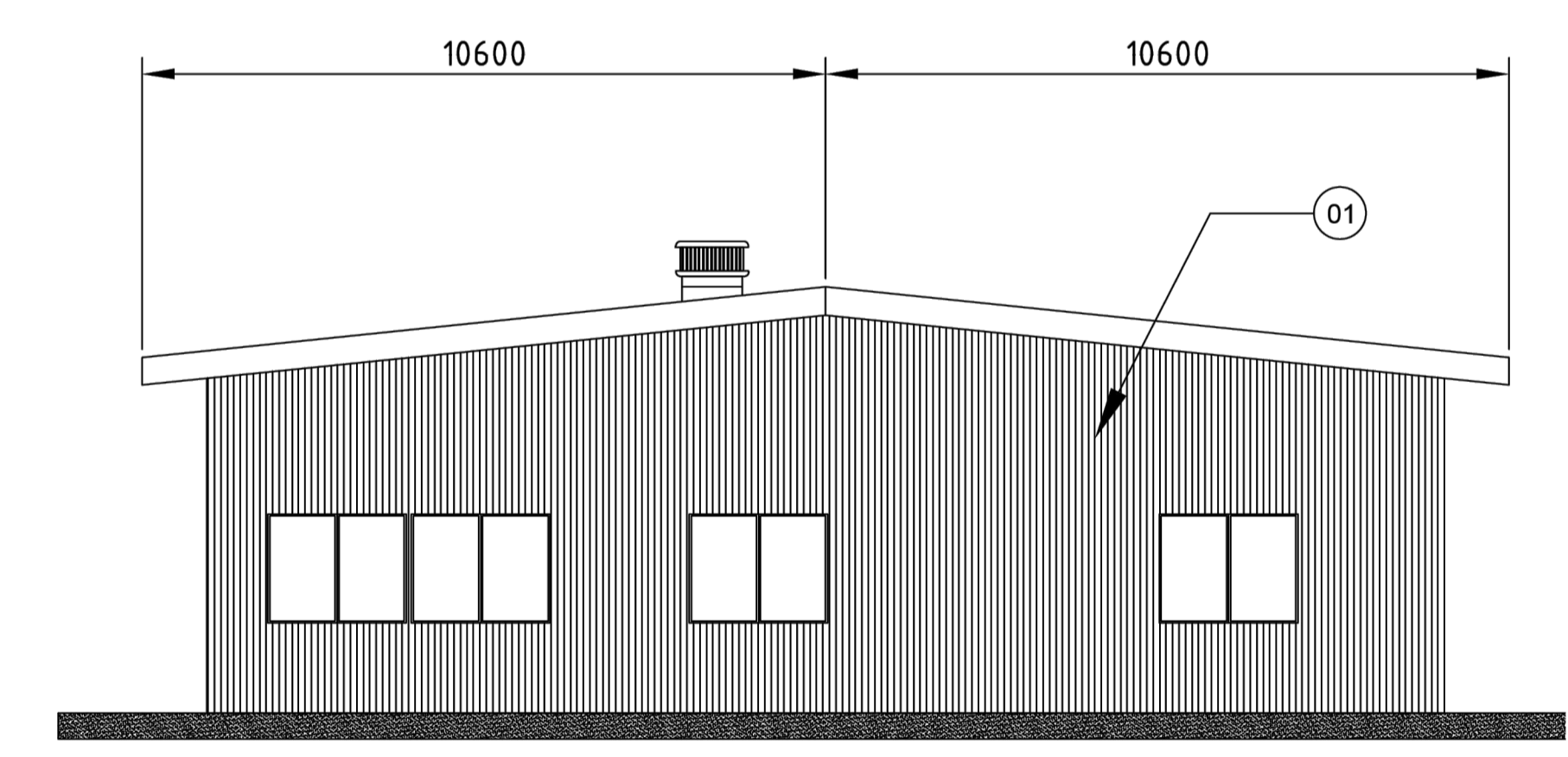


**DETAIL 1 - OPERATIONS AND MAINTENANCE BUILDING
PLAN VIEW**

This copied document to be made available for the sole purpose of enabling its consideration and review as part of a planning process under the Planning and Environment Act 1987. The document must not be used for any purpose which may breach any copyright



**DETAIL 1 - OPERATIONS AND MAINTENANCE BUILDING
SIDE VIEW**



**DETAIL 1 - OPERATIONS AND MAINTENANCE BUILDING
FRONT VIEW**

ADVERTISED
PLAN

NOT FOR
CONSTRUCTION

SCALE 1:500														FLOOR & ELEVATION - O&M BUILDING							
										SURVEYED : N/A DATE: N/A COORDINATE DATUM : GDA2020		MELBOURNE Level 14, 10-16 Queen Street Melbourne, VIC 3000		WINTON BESS 6 BOWERS ROAD, WINTON							
DRAWN : BZS DATE: 14/11/2025 PROJECTION : MGA ZONE 55										Telephone 61 3 9249 5542		AVENIS ENERGY									
CHECKED : GM DATE: 14/11/2025 LEVEL DATUM : AHD										www.fyfe.com.au		PROJECT No. 83000-4616		DRAWING 83000-4616-PL-01-SITE01-r0		SHEET 8 OF 8		REV. 0		A1	
QA : GM DATE: 14/11/2025 LEVEL ORIGIN : N/A										DO NOT SCALE		83000-4616-PL-01-SITE01-r0.dwg									